

ROBOTICS

# Product manual, spare parts

## IRB 920



Trace back information:  
Workspace 23D version a14  
Checked in 2023-12-12  
Skribenta version 5.5.019

**Product manual, spare parts**

**IRB 920-6/0.55**

**IRB 920-6/0.65**

**IRB 920T-6/0.45**

**IRB 920T-6/0.55**

**IRB 920T-6/0.65**

OmniCore

Document ID: 3HAC075722-001

Revision: E

The information in this manual is subject to change without notice and should not be construed as a commitment by ABB. ABB assumes no responsibility for any errors that may appear in this manual.

Except as may be expressly stated anywhere in this manual, nothing herein shall be construed as any kind of guarantee or warranty by ABB for losses, damage to persons or property, fitness for a specific purpose or the like.

In no event shall ABB be liable for incidental or consequential damages arising from use of this manual and products described herein.

This manual and parts thereof must not be reproduced or copied without ABB's written permission.

Keep for future reference.

Additional copies of this manual may be obtained from ABB.

Original instructions.

© Copyright 2023 ABB. All rights reserved.  
Specifications subject to change without notice.

# Table of contents

Overview of this manual .....	7
Product documentation .....	9
<b>1 Spare parts and exploded views</b> .....	<b>11</b>
1.1 Spare parts - electrical parts .....	12
1.1.1 Main harness parts .....	12
1.1.2 Process hub parts .....	15
1.1.3 SMB parts .....	18
1.1.4 Manipulator cable harness parts .....	21
1.1.4.1 Customer cables - CP/CS cable (option) .....	21
1.1.4.2 Customer cables - Ethernet floor cable (option) .....	22
1.1.4.3 Connector kits, outer arm (option) .....	23
1.2 Spare parts - base .....	24
1.2.1 Base parts .....	24
1.3 Spare parts - inner arm .....	31
1.3.1 Inner arm .....	31
1.3.2 Inner arm parts .....	34
1.4 Spare parts - outer arm .....	37
1.4.1 Outer arm .....	37
1.4.2 Outer arm parts .....	40
1.4.3 Ball screw .....	43
1.4.4 Bellows .....	46
1.5 Spare parts - motors .....	52
1.5.1 Axis-1 motor sub-assembly .....	52
1.5.2 Axis-2 motor sub-assembly .....	55
1.5.3 Axis-3 motor sub-assembly .....	58
1.5.4 Axis-4 motor sub-assembly .....	61
1.6 Spare parts - gearboxes .....	64
1.6.1 Axis-1 gearbox .....	64
1.6.2 Axis-2 gearbox .....	67
1.7 Spare parts - Accessories .....	70
1.7.1 Axis Calibration items - Protective plug .....	70
1.7.2 Special tools .....	72
1.8 Consumables and wear parts .....	73
1.8.1 Lubrication .....	73
1.8.2 Wear parts .....	74

**This page is intentionally left blank**

# Overview of this manual

## About this manual

This manual contains spare parts for:

- IRB 920 and all its variants.

## Usage

This manual shall be used as a complement to the product manual for IRB 920 during:

- maintenance work
- repair work.

## Who should read this manual?

This manual is intended for:

- maintenance personnel
- repair personnel.

## Prerequisites

Maintenance/repair/installation personnel working with an ABB Robot must:

- be trained by ABB and have the required knowledge of mechanical and electrical installation/repair/maintenance work.

## Organization of chapters

The manual is organized in the following chapters:

Chapter	Contents
1 Spare parts and exploded view	Complete spare part list and complete list of robot components shown in exploded views.

## References

Reference	Document ID
<i>Product manual - IRB 920</i>	3HAC075721-001
<i>Product specification - IRB 920</i>	3HAC075723-001
<i>Circuit diagram - IRB 920</i>	3HAC075152-014

## Revisions

Revision	Description
A	First edition.
B	Published in release 21D. The following updates are done in this revision: <ul style="list-style-type: none"> <li>• Removed text LAMP from Process hub plate.</li> </ul>
C	Published in release 22A. The following updates are done in this revision: <ul style="list-style-type: none"> <li>• The protection type <i>Clean Room</i> and protection class IP54 are added throughout the manual.</li> <li>• Added section for wear parts (parts with limited life).</li> </ul>

*Continues on next page*

## Overview of this manual

---

*Continued*

Revision	Description
D	Published in release 22C. The following updates are done in this revision: <ul style="list-style-type: none"><li>• Added new variants IRB 920-6/0.55 and IRB 920-6/0.65 throughout the manual.</li></ul>
E	Published in release 23B. The following updates are done in this revision: <ul style="list-style-type: none"><li>• The protection class IP54 for variants IRB 920-6/0.55 and IRB 920-6/0.65 are added throughout the manual.</li><li>• Deleted spare part 3HAC079523-001, 3HAC079524-001, 3HAC070461-001, 3HAC077740-001.</li></ul>
F	Published in release 23D. The following updates are done in this revision: <ul style="list-style-type: none"><li>• Removed lamp information throughout the manual.</li></ul>



---

# Product documentation

---

## Categories for user documentation from ABB Robotics

The user documentation from ABB Robotics is divided into a number of categories. This listing is based on the type of information in the documents, regardless of whether the products are standard or optional.



### Tip

All documents can be found via myABB Business Portal, [www.abb.com/myABB](http://www.abb.com/myABB).

---

## Product manuals

Manipulators, controllers, DressPack, and most other hardware is delivered with a **Product manual** that generally contains:

- Safety information.
- Installation and commissioning (descriptions of mechanical installation or electrical connections).
- Maintenance (descriptions of all required preventive maintenance procedures including intervals and expected life time of parts).
- Repair (descriptions of all recommended repair procedures including spare parts).
- Calibration.
- Troubleshooting.
- Decommissioning.
- Reference information (safety standards, unit conversions, screw joints, lists of tools).
- Spare parts list with corresponding figures (or references to separate spare parts lists).
- References to circuit diagrams.

---

## Technical reference manuals

The technical reference manuals describe reference information for robotics products, for example lubrication, the RAPID language, and system parameters.

---

## Application manuals

Specific applications (for example software or hardware options) are described in **Application manuals**. An application manual can describe one or several applications.

An application manual generally contains information about:

- The purpose of the application (what it does and when it is useful).
- What is included (for example cables, I/O boards, RAPID instructions, system parameters, software).
- How to install included or required hardware.
- How to use the application.

*Continues on next page*

- Examples of how to use the application.

---

### Operating manuals

The operating manuals describe hands-on handling of the products. The manuals are aimed at those having first-hand operational contact with the product, that is production cell operators, programmers, and troubleshooters.

# 1 Spare parts and exploded views

---

## Spare part level

ABB spare parts are categorized into two levels, L1 and L2. Always check the part level before conducting a service work on a spare part.

- L1 spare parts

The L1 parts can be replaced in the field. The maintenance and replacement instructions given in the related product manuals must be strictly followed. If there are any problems, contact your local ABB for support.

- L2 spare parts

To replace the L2 parts require specialized training and might need special tools. Only ABB field service personnel or qualified personnel trained by ABB can replace L2 parts.

*Continues on next page*

# 1 Spare parts and exploded views

## 1.1.1 Main harness parts

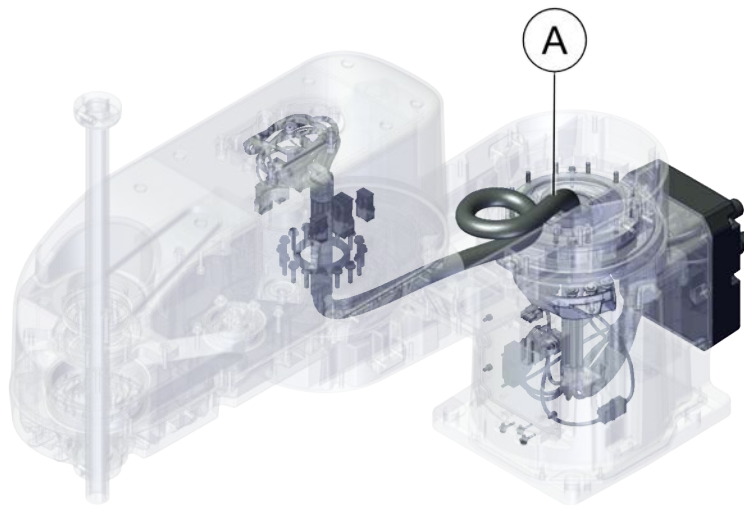
## 1.1 Spare parts - electrical parts

### 1.1.1 Main harness parts

#### Spare part list and illustration - IP30

	Spare part number	Description	Standard, IP30 <sup>i</sup>								Spare part level
			IRB 920T-6/0.45_0.18	IRB 920T-6/0.55_0.18	IRB 920T-6/0.65_0.18	IRB 920T-6/0.45_0.3	IRB 920T-6/0.55_0.3	IRB 920T-6/0.65_0.3	IRB 920-6/0.55_0.18	IRB 920-6/0.65_0.18	
A	3HAC076580-001	Main harness MS, Basic	X			X					L2
	3HAC076581-001	Main harness MS, Basic+C1+Air	X			X					L2
	3HAC076582-001	Main harness MS, Basic+C1+C2+Air	X			X					L2
	3HAC079759-001	Main harness ML, Basic		X	X		X	X	X	X	L2
	3HAC079760-001	Main harness ML, Basic+C1+Air		X	X		X	X	X	X	L2
	3HAC079761-001	Main harness ML, Basic+C1+C2+Air		X	X		X	X	X	X	L2

<sup>i</sup> The protection class of the ballscrew area is IP20. For more information, please contact ABB.



xx2100000590

Continues on next page

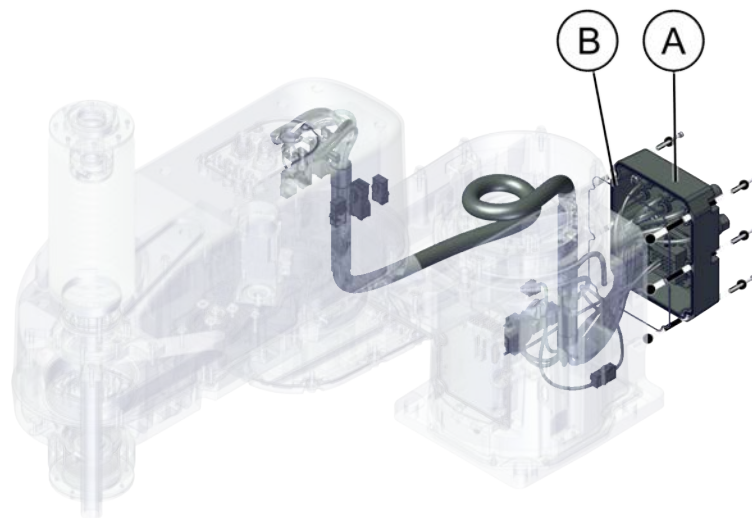
# 1 Spare parts and exploded views

## 1.1.1 Main harness parts

*Continued*

### Spare part list and illustration - IP54

	Spare part number	Description	IP54								Spare part level
			IRB 920T-6/0.45 0.18	IRB 920T-6/0.55 0.18	IRB 920T-6/0.65 0.18	IRB 920T-6/0.45 0.3	IRB 920T-6/0.55 0.3	IRB 920T-6/0.65 0.3	IRB 920-6/0.55 0.18	IRB 920-6/0.65 0.18	
A	3HAC076580-001	Main harness MS, Basic	X			X					L2
	3HAC076581-001	Main harness MS, Basic+C1+Air	X			X					L2
	3HAC076582-001	Main harness MS, Basic+C1+C2+Air	X			X					L2
	3HAC079759-001	Main harness ML, Basic		X	X		X	X	X	X	L2
	3HAC079760-001	Main harness ML, Basic+C1+Air		X	X		X	X	X	X	L2
	3HAC079761-001	Main harness ML, Basic+C1+C2+Air		X	X		X	X	X	X	L2
B	3HAC065350-001	Gasket, Foot cover	X	X	X	X	X	X	X	X	L2



xx2100002310

*Continues on next page*

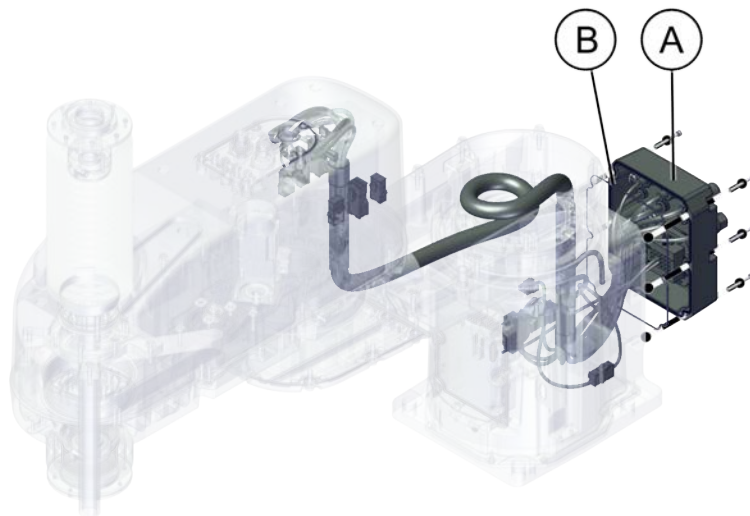
# 1 Spare parts and exploded views

## 1.1.1 Main harness parts

Continued

### Spare part list and illustration - Clean Room

	Spare part number	Description	Clean Room						Spare part level
			IRB 920T-6/0.45_0.18	IRB 920T-6/0.55_0.18	IRB 920T-6/0.65_0.18	IRB 920T-6/0.45_0.3	IRB 920T-6/0.55_0.3	IRB 920T-6/0.65_0.3	
A	3HAC081479-001	Main harness MS, Basic, Clean Room	X			X			L2
	3HAC081480-001	Main harness MS, Basic+C1+Air, Clean Room	X			X			L2
	3HAC081481-001	Main harness MS, Basic+C1+C2+Air, Clean Room	X			X			L2
	3HAC081482-001	Main harness ML, Basic, Clean Room		X	X		X	X	L2
	3HAC081483-001	Main harness ML, Basic+C1+Air, Clean Room		X	X		X	X	L2
	3HAC081484-001	Main harness ML, Basic+C1+C2+Air, Clean Room		X	X		X	X	L2
B	3HAC065350-001	Gasket, Foot cover	X	X	X	X	X	X	L2



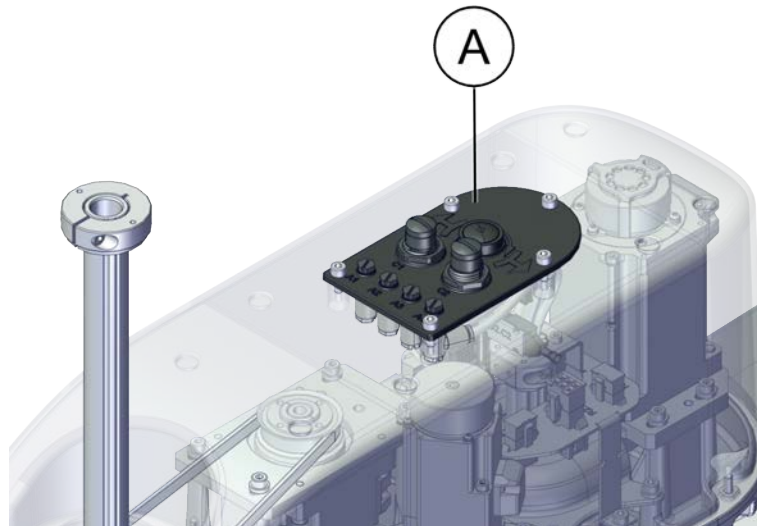
xx2100002310

### 1.1.2 Process hub parts

#### Spare part list and illustration - IP30

	Spare part number	Description	Standard, IP30 <sup>i</sup>										Spare part level
			IRB 920T-6/0.45_0.18	IRB 920T-6/0.55_0.18	IRB 920T-6/0.65_0.18	IRB 920T-6/0.45_0.3	IRB 920T-6/0.55_0.3	IRB 920T-6/0.65_0.3	IRB 920-6/0.55_0.18	IRB 920-6/0.65_0.18			
A	3HAC076583-001	Process hub, M, Basic	X	X	X	X	X	X	X	X	X	X	L2
	3HAC076584-001	Process hub, M, Basic+C1+A	X	X	X	X	X	X	X	X	X	X	L2
	3HAC076585-001	Process hub, M, Basic+C1+C2+A	X	X	X	X	X	X	X	X	X	X	L2

<sup>i</sup> The protection class of the ballscrew area is IP20. For more information, please contact ABB.



xx2000001122

*Continues on next page*

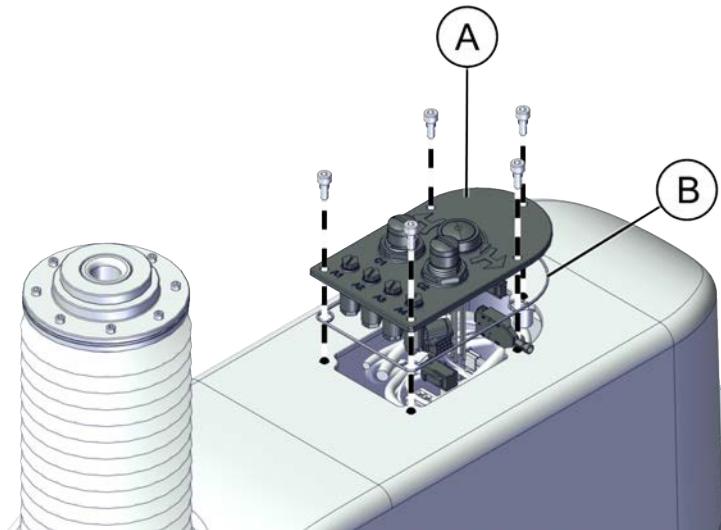
# 1 Spare parts and exploded views

## 1.1.2 Process hub parts

Continued

### Spare part list and illustration - IP54

	Spare part number	Description	IP54								Spare part level
			IRB 920T-6/0.45 0.18	IRB 920T-6/0.55 0.18	IRB 920T-6/0.65 0.18	IRB 920T-6/0.45 0.3	IRB 920T-6/0.55 0.3	IRB 920T-6/0.65 0.3	IRB 920-6/0.55 0.18	IRB 920-6/0.65 0.18	
A	3HAC076583-001	Process hub, M, Basic	X	X	X	X	X	X	X	X	L2
	3HAC076584-001	Process hub, M, Basic+C1+A	X	X	X	X	X	X	X	X	L2
	3HAC076585-001	Process hub, M, Basic+C1+C2+A	X	X	X	X	X	X	X	X	L2
B	3HAC073940-001	Gasket, Process hub	X	X	X	X	X	X	X	X	L2



xx2100002311

Continues on next page



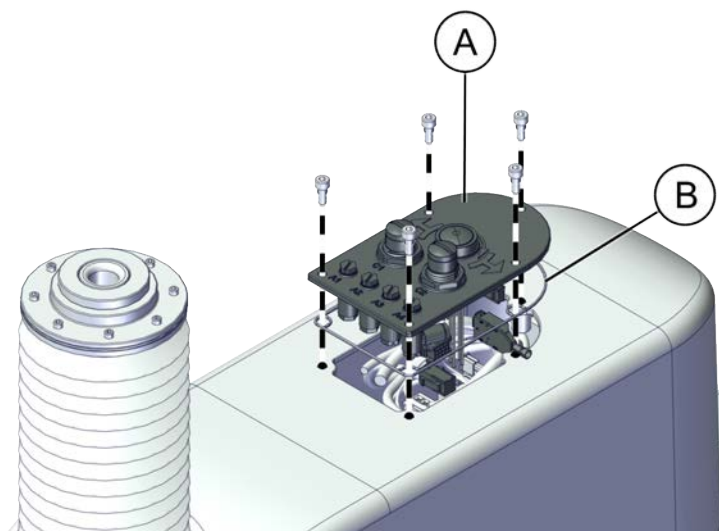
# 1 Spare parts and exploded views

## 1.1.2 Process hub parts

Continued

### Spare part list and illustration - Clean Room

	Spare part number	Description	Clean Room						Spare part level
			IRB 920T-6/0.45_0.18	IRB 920T-6/0.55_0.18	IRB 920T-6/0.65_0.18	IRB 920T-6/0.45_0.3	IRB 920T-6/0.55_0.3	IRB 920T-6/0.65_0.3	
A	3HAC081485-001	Process hub, Basic	X	X	X	X	X	X	L2
	3HAC081486-001	Process hub, Basic+C1+A	X	X	X	X	X	X	L2
	3HAC081487-001	Process hub, Basic+C1+C2+A	X	X	X	X	X	X	L2
B	3HAC073940-001	Gasket, Process hub	X	X	X	X	X	X	L2




xx210002311

# 1 Spare parts and exploded views

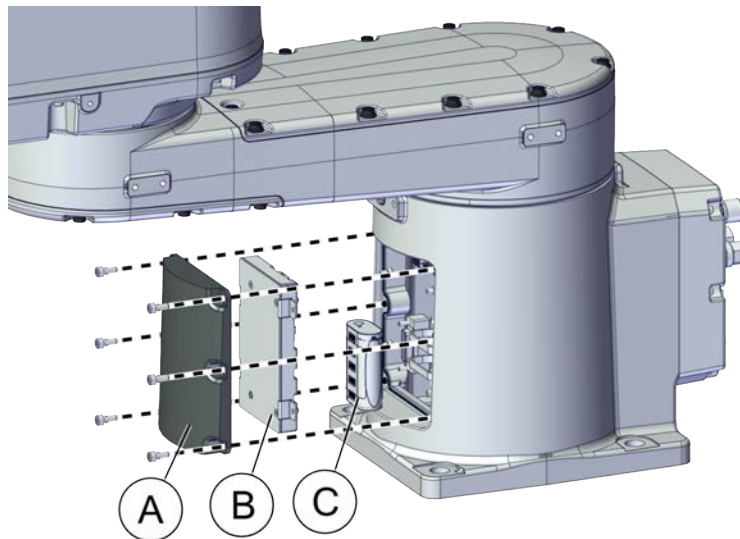
## 1.1.3 SMB parts

### 1.1.3 SMB parts

#### Spare part list and illustration - IP30

	Spare part number	Description	Standard, IP30 <sup>i</sup>										Spare part level
			IRB 920T-6/0.45_0.18	IRB 920T-6/0.55_0.18	IRB 920T-6/0.65_0.18	IRB 920T-6/0.45_0.3	IRB 920T-6/0.55_0.3	IRB 920T-6/0.65_0.3	IRB 920-6/0.55_0.18	IRB 920-6/0.65_0.18			
A	3HAC063968-001	SMB unit	X	X	X	X	X	X	X	X	X	L2	
B	3HAC044075-001	Battery unit  <b>Note</b> Battery pack is wear part.	X	X	X	X	X	X	X	X	X	L2	
C	3HAC076603-001	SMB cover	X	X	X	X	X	X	X	X	X	L2	


<sup>i</sup> The protection class of the ballscrew area is IP20. For more information, please contact ABB.

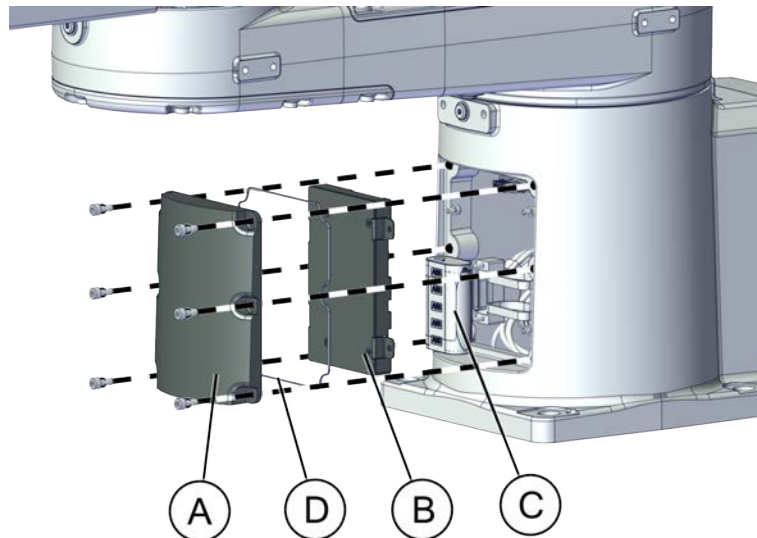


xx2000001123

Continues on next page

## Spare part list and illustration - IP54

	Spare part number	Description	IP54										Spare part level
			IRB 920T-6/0.45 0.18	IRB 920T-6/0.55 0.18	IRB 920T-6/0.65 0.18	IRB 920T-6/0.45 0.3	IRB 920T-6/0.55 0.3	IRB 920T-6/0.65 0.3	IRB 920-6/0.55 0.18	IRB 920-6/0.65 0.18			
A	3HAC063968-001	SMB unit	X	X	X	X	X	X	X	X	X	L2	
B	3HAC044075-001	Battery unit  <b>Note</b> Battery pack is wear part.	X	X	X	X	X	X	X	X	X	L2	
C	3HAC076603-001	SMB cover	X	X	X	X	X	X	X	X	X	L2	
D	3HAC073938-001	Gasket, SMB cover	X	X	X	X	X	X	X	X	X	L2	



xx2100002860


Continues on next page

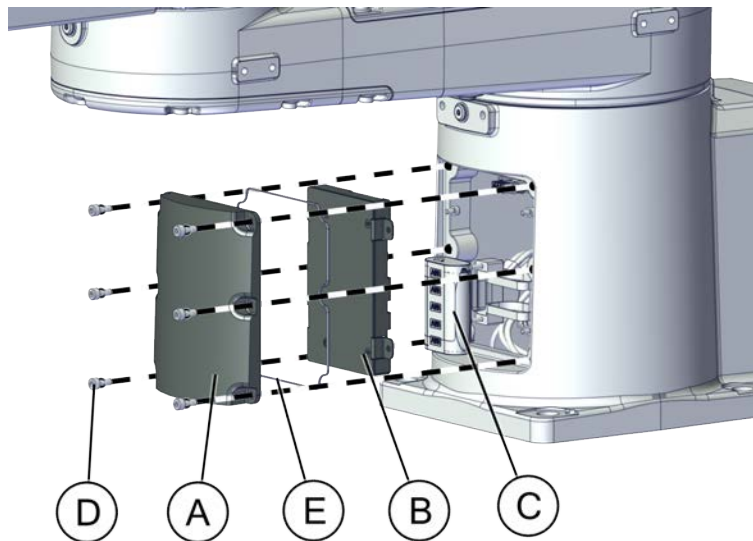
# 1 Spare parts and exploded views

## 1.1.3 SMB parts

Continued

### Spare part list and illustration - Clean Room

	Spare part number	Description	Clean Room						Spare part level
			IRB 920T-6/0.45_0.18	IRB 920T-6/0.55_0.18	IRB 920T-6/0.65_0.18	IRB 920T-6/0.45_0.3	IRB 920T-6/0.55_0.3	IRB 920T-6/0.65_0.3	
A	3HAC063968-001	SMB unit	X	X	X	X	X	X	L2
B	3HAC044075-001	Battery unit  <b>Note</b> Battery pack is wear part.	X	X	X	X	X	X	L2
C	3HAC081488-001	SMB cover	X	X	X	X	X	X	L2
D	3HAC075438-001	Stainless Screw Hexagon Socket Head Cap, Clean Room Used with protection type Clean Room.	X	X	X	X	X	X	L1
E	3HAC073938-001	Gasket, SMB cover	X	X	X	X	X	X	L2



xx2100002312

# 1 Spare parts and exploded views

## 1.1.4.1 Customer cables - CP/CS cable (option)

### 1.1.4 Manipulator cable harness parts

#### 1.1.4.1 Customer cables - CP/CS cable (option)

##### Spare part list - IP30

	Spare part number	Description	Standard, IP30 <sup>i</sup>								Spare part level
			IRB 920T-6/0.45_0.18	IRB 920T-6/0.55_0.18	IRB 920T-6/0.65_0.18	IRB 920T-6/0.45_0.3	IRB 920T-6/0.55_0.3	IRB 920T-6/0.65_0.3	IRB 920-6/0.55_0.18	IRB 920-6/0.65_0.18	
-	3HAC067449-001	3 m	X	X	X	X	X	X	X	X	L1
-	3HAC067449-002	7 m	X	X	X	X	X	X	X	X	L1
-	3HAC067449-003	15 m	X	X	X	X	X	X	X	X	L1

<sup>i</sup> The protection class of the ballscrew area is IP20. For more information, please contact ABB.

##### Spare part list - IP54

	Spare part number	Description	IP54								Spare part level
			IRB 920T-6/0.45_0.18	IRB 920T-6/0.55_0.18	IRB 920T-6/0.65_0.18	IRB 920T-6/0.45_0.3	IRB 920T-6/0.55_0.3	IRB 920T-6/0.65_0.3	IRB 920-6/0.55_0.18	IRB 920-6/0.65_0.18	
-	3HAC067449-001	3 m	X	X	X	X	X	X	X	X	L1
-	3HAC067449-002	7 m	X	X	X	X	X	X	X	X	L1
-	3HAC067449-003	15 m	X	X	X	X	X	X	X	X	L1

##### Spare part list - Clean Room

	Spare part number	Description	Clean Room						Spare part level
			IRB 920T-6/0.45_0.18	IRB 920T-6/0.55_0.18	IRB 920T-6/0.65_0.18	IRB 920T-6/0.45_0.3	IRB 920T-6/0.55_0.3	IRB 920T-6/0.65_0.3	
-	3HAC067449-001	3 m	X	X	X	X	X	X	L1
-	3HAC067449-002	7 m	X	X	X	X	X	X	L1
-	3HAC067449-003	15 m	X	X	X	X	X	X	L1

# 1 Spare parts and exploded views

## 1.1.4.2 Customer cables - Ethernet floor cable (option)

### 1.1.4.2 Customer cables - Ethernet floor cable (option)

#### Spare part list - IP30

	Spare part number	Description	Standard, IP30 <sup>i</sup>								Spare part level
			IRB 920T- 6/0.45_0.18	IRB 920T- 6/0.55_0.18	IRB 920T- 6/0.65_0.18	IRB 920T- 6/0.45_0.3	IRB 920T- 6/0.55_0.3	IRB 920T- 6/0.65_0.3	IRB 920- 6/0.55_0.18	IRB 920- 6/0.65_0.18	
-	3HAC067447-002	7 m	X	X	X	X	X	X	X	X	L1
-	3HAC067447-003	15 m	X	X	X	X	X	X	X	X	L1

<sup>i</sup> The protection class of the ballscrew area is IP20. For more information, please contact ABB.

#### Spare part list - IP54

	Spare part number	Description	IP54								Spare part level
			IRB 920T- 6/0.45_0.18	IRB 920T- 6/0.55_0.18	IRB 920T- 6/0.65_0.18	IRB 920T- 6/0.45_0.3	IRB 920T- 6/0.55_0.3	IRB 920T- 6/0.65_0.3	IRB 920- 6/0.55_0.18	IRB 920- 6/0.65_0.18	
-	3HAC067447-002	7 m	X	X	X	X	X	X	X	X	L1
-	3HAC067447-003	15 m	X	X	X	X	X	X	X	X	L1

#### Spare part list - Clean Room

	Spare part number	Description	Clean Room						Spare part level
			IRB 920T- 6/0.45_0.18	IRB 920T- 6/0.55_0.18	IRB 920T- 6/0.65_0.18	IRB 920T- 6/0.45_0.3	IRB 920T- 6/0.55_0.3	IRB 920T- 6/0.65_0.3	
-	3HAC067447-002	7 m	X	X	X	X	X	X	L1
-	3HAC067447-003	15 m	X	X	X	X	X	X	L1

# 1 Spare parts and exploded views

## 1.1.4.3 Connector kits, outer arm (option)

### 1.1.4.3 Connector kits, outer arm (option)

#### Spare part list - IP30

	Spare part number	Description	Standard, IP30 <sup>i</sup> , IP54 and Clean Room								Spare part level
			IRB 920T-6/0.45_0.18	IRB 920T-6/0.55_0.18	IRB 920T-6/0.65_0.18	IRB 920T-6/0.45_0.3	IRB 920T-6/0.55_0.3	IRB 920T-6/0.65_0.3	IRB 920T-6/0.55_0.18	IRB 920T-6/0.65_0.18	
-	3HAC066098-001	M12 CPCS Male straight connector kits	X	X	X	X	X	X	X	X	L1
-	3HAC066099-001	M12 CPCS Male angled connector kits	X	X	X	X	X	X	X	X	L1
-	3HAC067413-001	M12 Ethernet Cat5e Male straight connector kits	X	X	X	X	X	X	X	X	L1
-	3HAC067414-001	M12 Ethernet Cat5e Male angled connector kits	X	X	X	X	X	X	X	X	L1

<sup>i</sup> The protection class of the ballscrew area is IP20. For more information, please contact ABB.

#### Spare part list - IP54

	Spare part number	Description	IP54								Spare part level
			IRB 920T-6/0.45_0.18	IRB 920T-6/0.55_0.18	IRB 920T-6/0.65_0.18	IRB 920T-6/0.45_0.3	IRB 920T-6/0.55_0.3	IRB 920T-6/0.65_0.3	IRB 920T-6/0.55_0.18	IRB 920T-6/0.65_0.18	
-	3HAC066098-001	M12 CPCS Male straight connector kits	X	X	X	X	X	X	X	X	L1
-	3HAC066099-001	M12 CPCS Male angled connector kits	X	X	X	X	X	X	X	X	L1
-	3HAC067413-001	M12 Ethernet Cat5e Male straight connector kits	X	X	X	X	X	X	X	X	L1
-	3HAC067414-001	M12 Ethernet Cat5e Male angled connector kits	X	X	X	X	X	X	X	X	L1

#### Spare part list - Clean Room

	Spare part number	Description	Clean Room						Spare part level
			IRB 920T-6/0.45_0.18	IRB 920T-6/0.55_0.18	IRB 920T-6/0.65_0.18	IRB 920T-6/0.45_0.3	IRB 920T-6/0.55_0.3	IRB 920T-6/0.65_0.3	
-	3HAC066098-001	M12 CPCS Male straight connector kits	X	X	X	X	X	X	L1
-	3HAC066099-001	M12 CPCS Male angled connector kits	X	X	X	X	X	X	L1
-	3HAC067413-001	M12 Ethernet Cat5e Male straight connector kits	X	X	X	X	X	X	L1
-	3HAC067414-001	M12 Ethernet Cat5e Male angled connector kits	X	X	X	X	X	X	L1

# 1 Spare parts and exploded views

## 1.2.1 Base parts

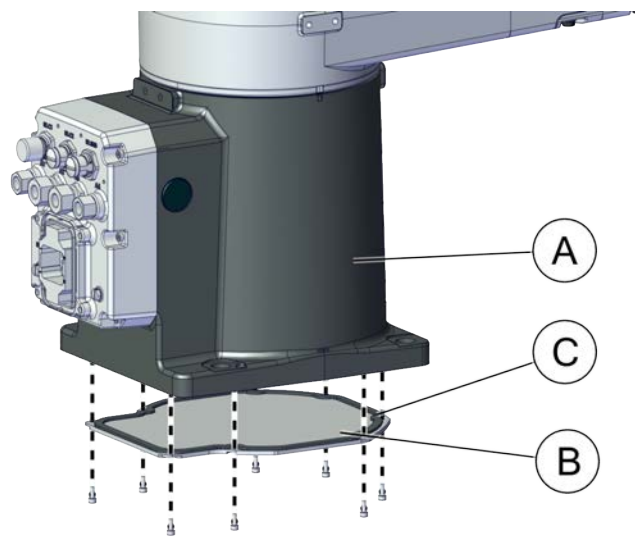
## 1.2 Spare parts - base

### 1.2.1 Base parts

#### Spare part list and illustration - IP30

	Spare part number	Description	Standard, IP30 <sup>i</sup>								Spare part level
			IRB 920T-6/0.45 0.18	IRB 920T-6/0.55 0.18	IRB 920T-6/0.65 0.18	IRB 920T-6/0.45 0.3	IRB 920T-6/0.55 0.3	IRB 920T-6/0.65 0.3	IRB 920-6/0.55 0.18	IRB 920-6/0.65 0.18	
A	3HAC076568-001	Base	X	X	X	X	X	X	X	X	L2
B	3HAC067865-001	Base plate, rear outlet cable <sup>ii</sup>	X	X	X	X	X	X	X	X	L1
	3HAC067864-001	Base plate, underneath outlet cable <sup>iii</sup>	X	X	X	X	X	X	X	X	L1
C	3HAC073939-001	Gasket, bottom plate	X	X	X	X	X	X	X	X	L1
D	3HAC075320-001	Block	X	X	X	X	X	X	X	X	L2
E	3HAC070312-001	Rear plate <sup>iv</sup>	X	X	X	X	X	X	X	X	L1

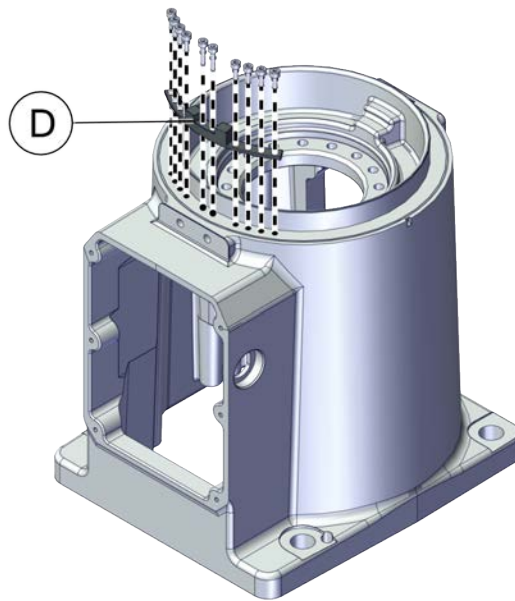
- <sup>i</sup> The protection class of the ballscrew area is IP20. For more information, please contact ABB.
- <sup>ii</sup> Valid for rear cable version.
- <sup>iii</sup> Valid for base cable version.
- <sup>iv</sup> Valid for base cable version.



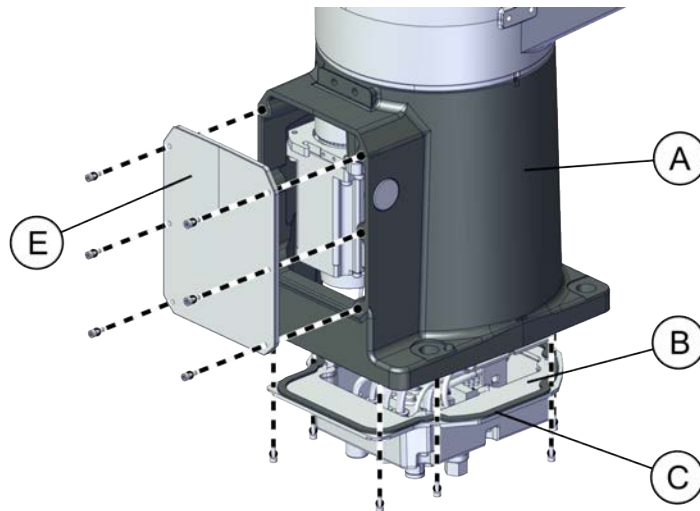
xx2000001124

Continues on next page





xx2000001138



xx2100001147

*Continues on next page*

# 1 Spare parts and exploded views

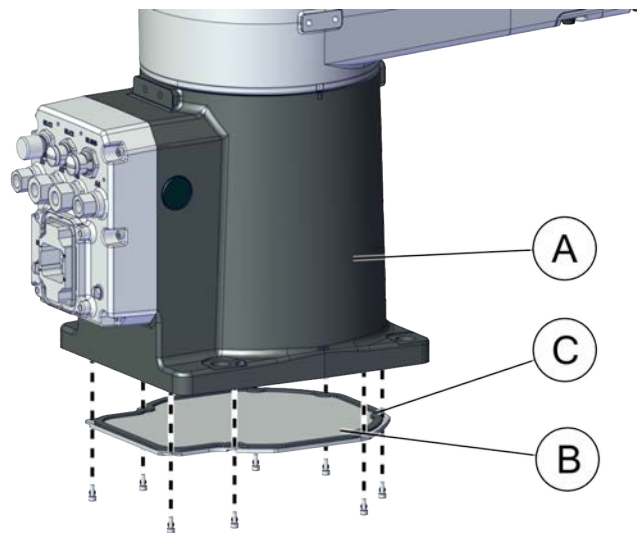
## 1.2.1 Base parts

Continued

### Spare part list and illustration - IP54

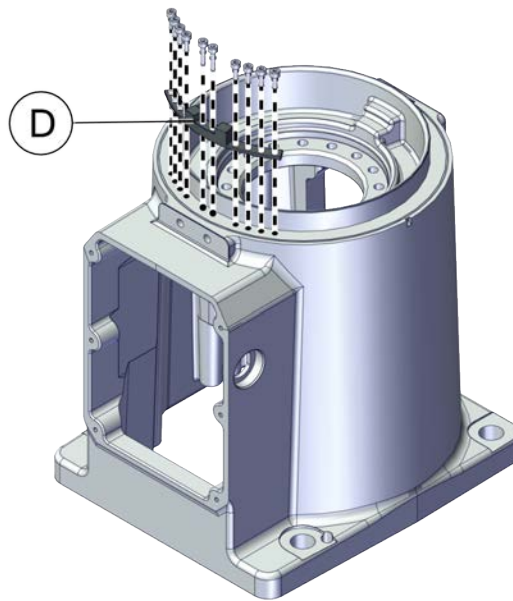
	Spare part number	Description	IP54										Spare part level
			IRB 920T-6/0.45 0.18	IRB 920T-6/0.55 0.18	IRB 920T-6/0.65 0.18	IRB 920T-6/0.45 0.3	IRB 920T-6/0.55 0.3	IRB 920T-6/0.65 0.3	IRB 920-6/0.55 0.18	IRB 920-6/0.65 0.18			
A	3HAC076568-001	Base	X	X	X	X	X	X	X	X	X	L2	
B	3HAC067865-001	Base plate, rear outlet cable <sup>i</sup>	X	X	X	X	X	X	X	X	X	L1	
	3HAC067864-001	Base plate, underneath outlet cable <sup>ii</sup>	X	X	X	X	X	X	X	X	X	L1	
C	3HAC073939-001	Gasket, bottom plate	X	X	X	X	X	X	X	X	L1		
D	3HAC075320-001	Block	X	X	X	X	X	X	X	X	L2		
E	3HAC070312-001	Rear plate <sup>iii</sup>	X	X	X	X	X	X	X	X	L1		
F	3HAC065350-001	Gasket, Foot cover	X	X	X	X	X	X	X	X	L2		

- <sup>i</sup> Valid for rear cable version.
- <sup>ii</sup> Valid for base cable version.
- <sup>iii</sup> Valid for base cable version.

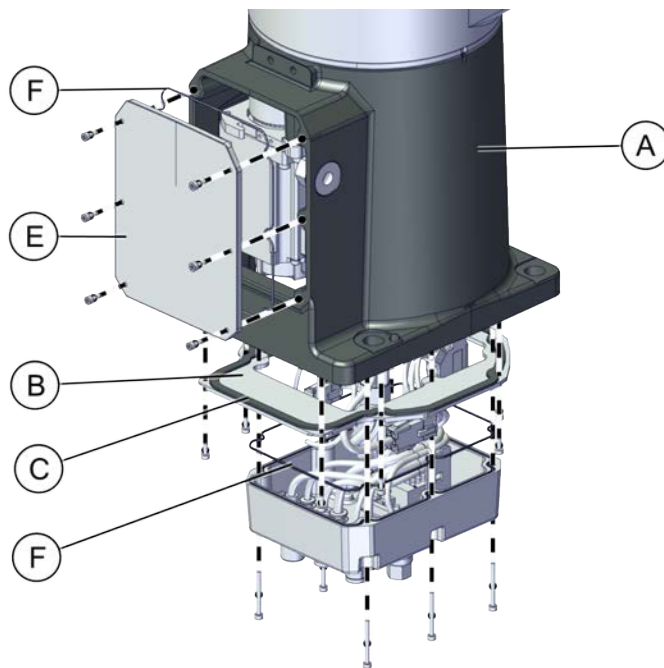


xx2000001124

Continues on next page



xx2000001138



xx2100002456

Continues on next page

# 1 Spare parts and exploded views

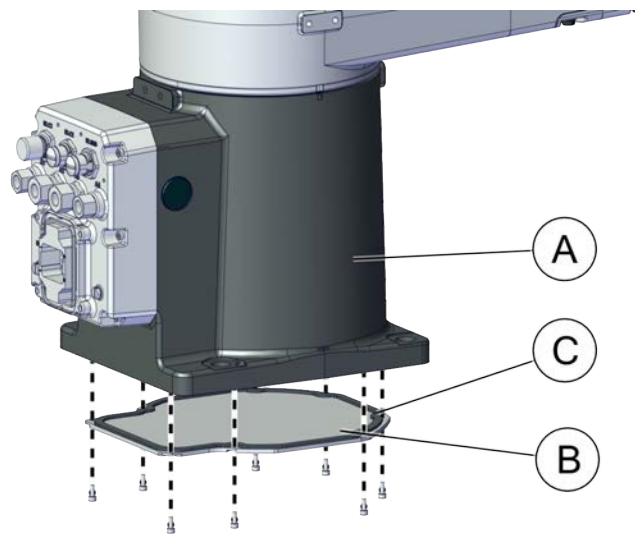
## 1.2.1 Base parts

Continued

### Spare part list and illustration - Clean Room

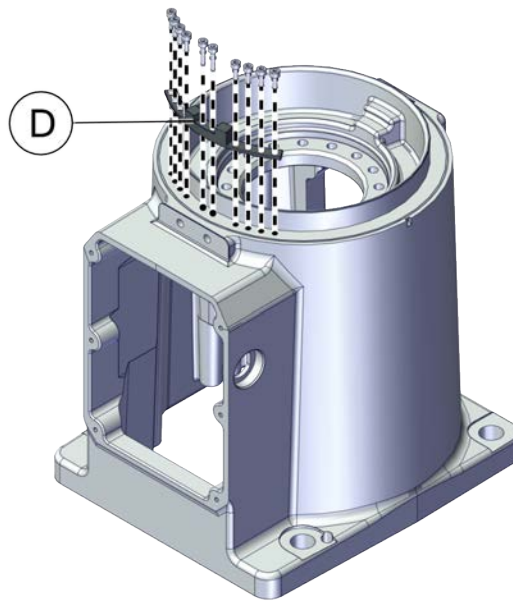
	Spare part number	Description	Clean Room						Spare part level
			IRB 920T-6/0.45_0.18	IRB 920T-6/0.55_0.18	IRB 920T-6/0.65_0.18	IRB 920T-6/0.45_0.3	IRB 920T-6/0.55_0.3	IRB 920T-6/0.65_0.3	
A	3HAC081474-001	Base	X	X	X	X	X	X	L2
B	3HAC067865-001	Base plate, rear outlet cable <sup>i</sup>	X	X	X	X	X	X	L1
	3HAC067864-001	Base plate, underneath outlet cable <sup>ii</sup>	X	X	X	X	X	X	L1
C	3HAC073939-001	Gasket, bottom plate	X	X	X	X	X	X	L1
D	3HAC075320-001	Block	X	X	X	X	X	X	L2
E	3HAC081489-001	Rear plate <sup>iii</sup>	X	X	X	X	X	X	L2
F	3HAC065350-001	Gasket, Foot cover	X	X	X	X	X	X	L2
G	3HAC082080-001	Air exhaust Used with protection type Clean Room.	X	X	X	X	X	X	L2
H	3HAC044906-001	One-way valve Used with protection type Clean Room.	X	X	X	X	X	X	L2

- i Valid for rear cable version.
- ii Valid for base cable version.
- iii Valid for base cable version.

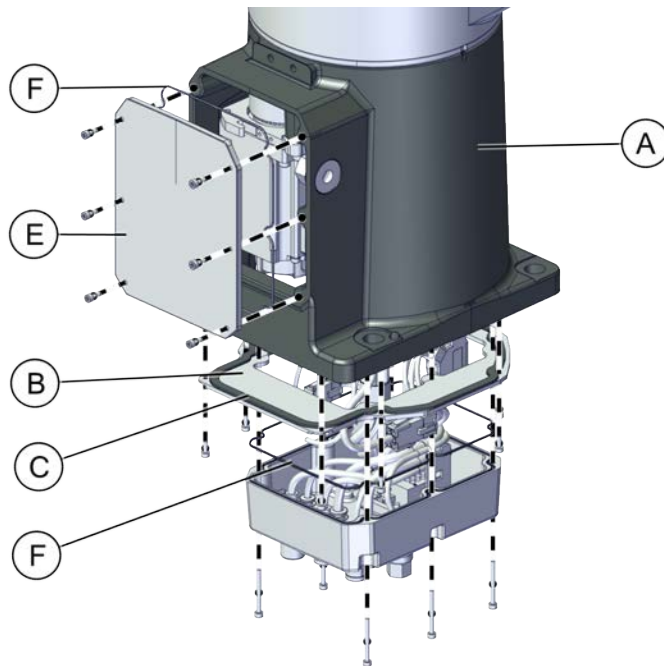


xx200001124

Continues on next page



xx2000001138



xx2100002456

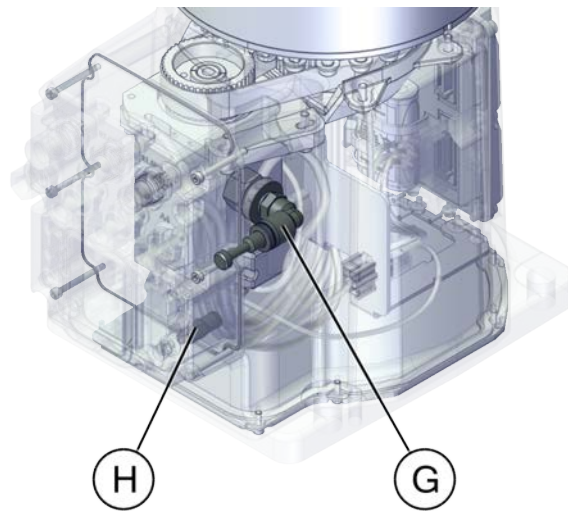
*Continues on next page*

# 1 Spare parts and exploded views

---

## 1.2.1 Base parts

*Continued*



xx2100002454

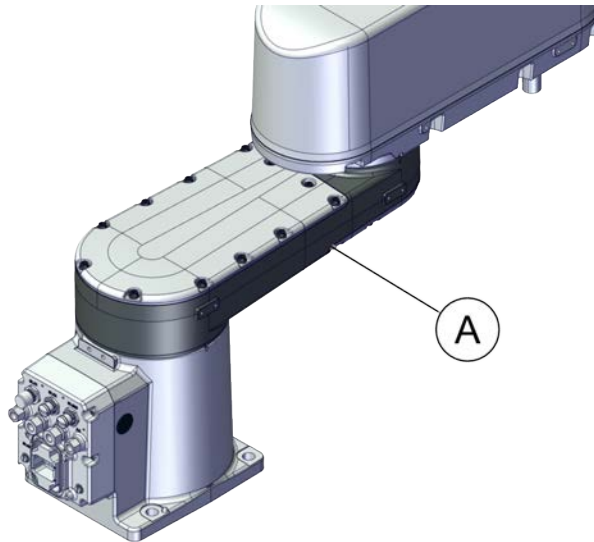
### 1.3 Spare parts - inner arm

#### 1.3.1 Inner arm

##### Spare part list and illustration - IP30

	Spare part number	Description	Standard, IP30 <sup>i</sup>								Spare part level
			IRB 920T-6/0.45_0.18	IRB 920T-6/0.55_0.18	IRB 920T-6/0.65_0.18	IRB 920T-6/0.45_0.3	IRB 920T-6/0.55_0.3	IRB 920T-6/0.65_0.3	IRB 920-6/0.55_0.18	IRB 920-6/0.65_0.18	
A	3HAC076570-001	Inner arm, 450 mm	X			X					L2
	3HAC076571-001	Inner arm, 550 mm		X			X		X		L2
	3HAC076572-001	Inner arm, 650 mm			X			X		X	L2

<sup>i</sup> The protection class of the ballscrew area is IP20. For more information, please contact ABB.



xx2000001125

*Continues on next page*

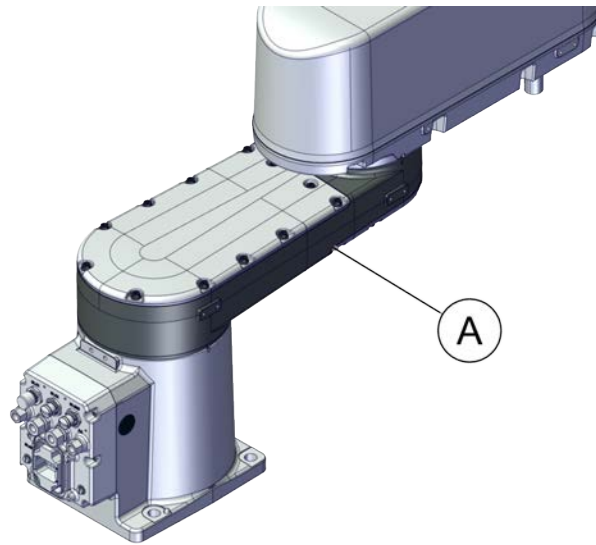
# 1 Spare parts and exploded views

## 1.3.1 Inner arm

Continued

### Spare part list and illustration - IP54

	Spare part number	Description	IP54								Spare part level
			IRB 920T-6/0.45 0.18	IRB 920T-6/0.55 0.18	IRB 920T-6/0.65 0.18	IRB 920T-6/0.45 0.3	IRB 920T-6/0.55 0.3	IRB 920T-6/0.65 0.3	IRB 920-6/0.55 0.18	IRB 920-6/0.65 0.18	
A	3HAC076570-001	Inner arm, 450 mm	X			X					L2
	3HAC076571-001	Inner arm, 550 mm		X			X		X		L2
	3HAC076572-001	Inner arm, 650 mm			X			X		X	L2



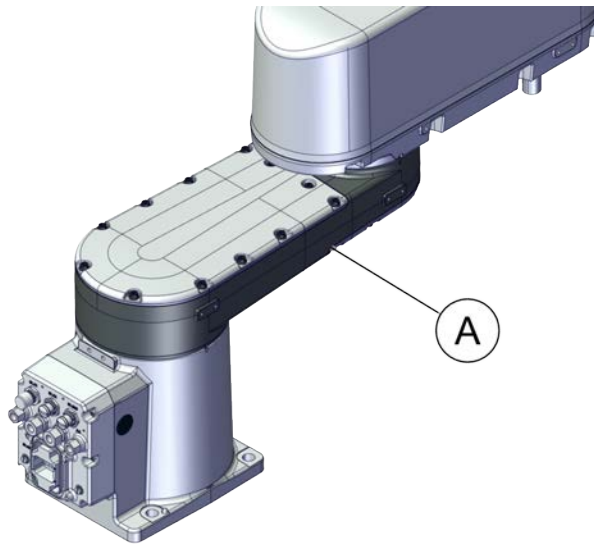
xx2000001125

Continues on next page



### Spare part list and illustration - Clean Room

	Spare part number	Description	Clean Room						Spare part level
			IRB 920T-6/0.45_0.18	IRB 920T-6/0.55_0.18	IRB 920T-6/0.65_0.18	IRB 920T-6/0.45_0.3	IRB 920T-6/0.55_0.3	IRB 920T-6/0.65_0.3	
A	3HAC081475-001	Inner arm, 450 mm	X			X			L2
	3HAC081476-001	Inner arm, 550 mm		X			X		L2
	3HAC081477-001	Inner arm, 550 mm			X			X	L2



xx2000001125

# 1 Spare parts and exploded views

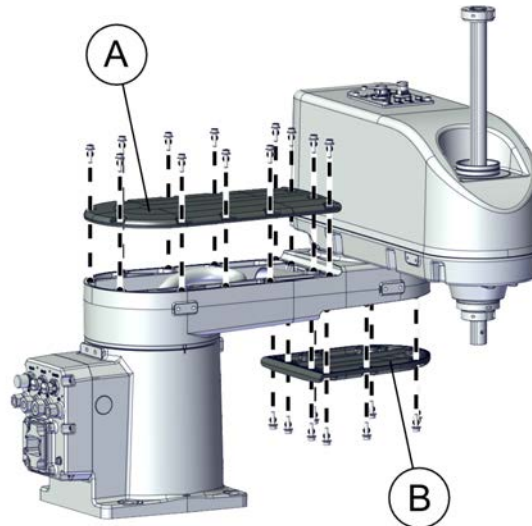
## 1.3.2 Inner arm parts

### 1.3.2 Inner arm parts

#### Spare part list and illustration - IP30

	Spare part number	Description	Standard, IP30 <sup>i</sup>								Spare part level
			IRB 920T-6/0.45_0.18	IRB 920T-6/0.55_0.18	IRB 920T-6/0.65_0.18	IRB 920T-6/0.45_0.3	IRB 920T-6/0.55_0.3	IRB 920T-6/0.65_0.3	IRB 920-6/0.55_0.18	IRB 920-6/0.65_0.18	
A	3HAC076607-001	Axis 1 Cover, 450 mm	X			X					L1
	3HAC076608-001	Axis 1 Cover, 550 mm		X			X		X		L1
	3HAC076609-001	Axis 1 Cover, 650 mm			X			X		X	L1
B	3HAC076610-001	Axis 2 Cover	X	X	X	X	X	X	X	X	L1

<sup>i</sup> The protection class of the ballscrew area is IP20. For more information, please contact ABB.



xx2000001140

Continues on next page

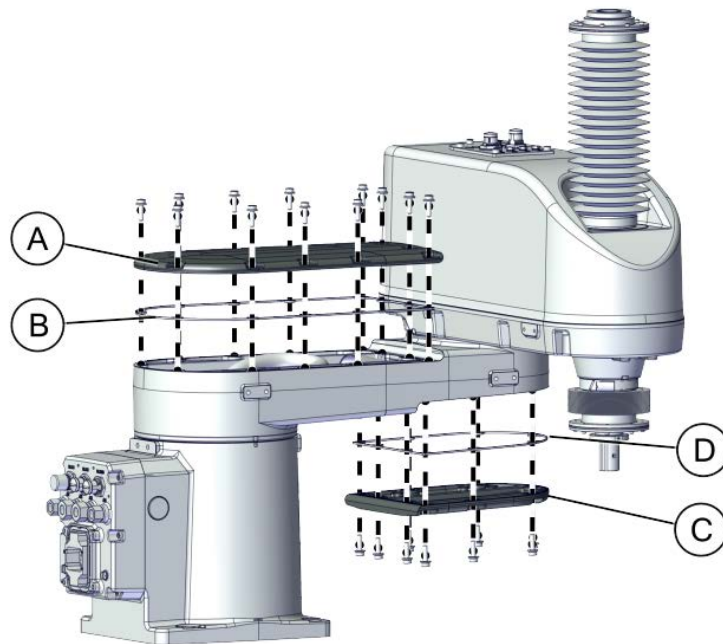
# 1 Spare parts and exploded views

## 1.3.2 Inner arm parts

*Continued*

### Spare part list and illustration - IP54

	Spare part number	Description	IP54								Spare part level
			IRB 920T-6/0.45 0.18	IRB 920T-6/0.55 0.18	IRB 920T-6/0.65 0.18	IRB 920T-6/0.45 0.3	IRB 920T-6/0.55 0.3	IRB 920T-6/0.65 0.3	IRB 920-6/0.55 0.18	IRB 920-6/0.65 0.18	
A	3HAC076607-001	Axis 1 Cover, 450 mm	X			X					L1
	3HAC076608-001	Axis 1 Cover, 550 mm		X			X		X		L1
	3HAC076609-001	Axis 1 Cover, 650 mm			X			X		X	L1
B	3HAC073606-001	Gasket, upper cover, 450 mm	X			X					L1
	3HAC073605-001	Gasket, upper cover, 550 mm		X			X		X		L1
	3HAC073604-001	Gasket, upper cover, 650 mm			X			X		X	L1
C	3HAC076610-001	Axis 2 Cover	X	X	X	X	X	X	X	X	L1
D	3HAC073607-001	Gasket, low cover	X	X	X	X	X	X	X	X	L1



xx2100002459

*Continues on next page*

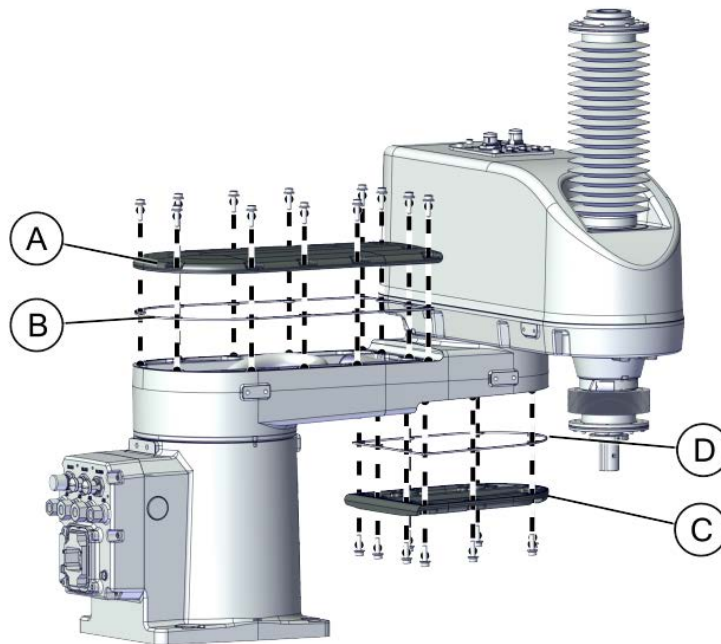
# 1 Spare parts and exploded views

## 1.3.2 Inner arm parts

Continued

### Spare part list and illustration - Clean Room

	Spare part number	Description	Clean Room						Spare part level
			IRB 920T-6/0.45_0.18	IRB 920T-6/0.55_0.18	IRB 920T-6/0.65_0.18	IRB 920T-6/0.45_0.3	IRB 920T-6/0.55_0.3	IRB 920T-6/0.65_0.3	
A	3HAC081490-001	Axis 1 Cover, 450 mm	X			X			L1
	3HAC081491-001	Axis 1 Cover, 550 mm		X			X		L1
	3HAC081492-001	Axis 1 Cover, 650 mm			X			X	L1
B	3HAC073606-001	Gasket, upper cover, 450 mm	X			X			L1
	3HAC073605-001	Gasket, upper cover, 550 mm		X			X		L1
	3HAC073604-001	Gasket, upper cover, 650 mm			X			X	L1
C	3HAC081493-001	Axis 2 Cover	X	X	X	X	X	X	L1
D	3HAC073607-001	Gasket, low cover	X	X	X	X	X	X	L1



xx2100002459

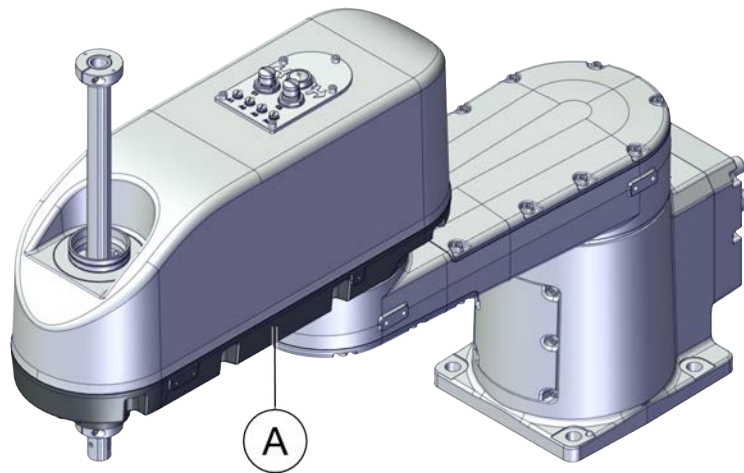
### 1.4 Spare parts - outer arm

#### 1.4.1 Outer arm

##### Spare part list and illustration - IP30

	Spare part number	Description	Standard, IP30 <sup>i</sup>								Spare part level
			IRB 920T-6/0.45_0.18	IRB 920T-6/0.55_0.18	IRB 920T-6/0.65_0.18	IRB 920T-6/0.45_0.3	IRB 920T-6/0.55_0.3	IRB 920T-6/0.65_0.3	IRB 920-6/0.55_0.18	IRB 920-6/0.65_0.18	
A	3HAC076575-001	Outer arm	X	X	X	X	X	X	X	X	L2

<sup>i</sup> The protection class of the ballscrew area is IP20. For more information, please contact ABB.



xx2000001126

*Continues on next page*

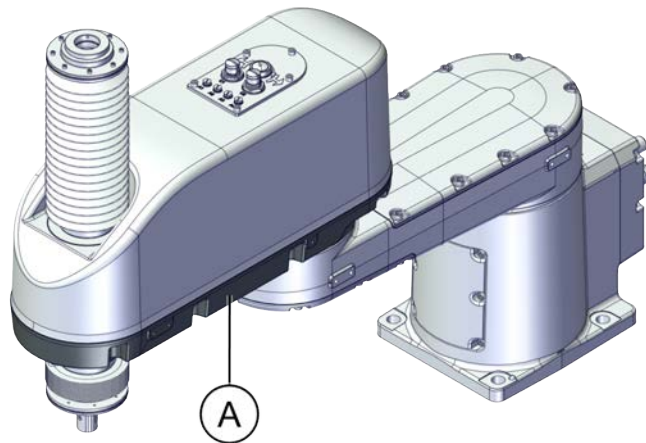
# 1 Spare parts and exploded views

## 1.4.1 Outer arm

Continued

### Spare part list and illustration - IP54

	Spare part number	Description	IP54								Spare part level
			IRB 920T-6/0.45 0.18	IRB 920T-6/0.55 0.18	IRB 920T-6/0.65 0.18	IRB 920T-6/0.45 0.3	IRB 920T-6/0.55 0.3	IRB 920T-6/0.65 0.3	IRB 920-6/0.55 0.18	IRB 920-6/0.65 0.18	
A	3HAC076575-001	Outer arm	X	X	X	X	X	X	X	X	L2

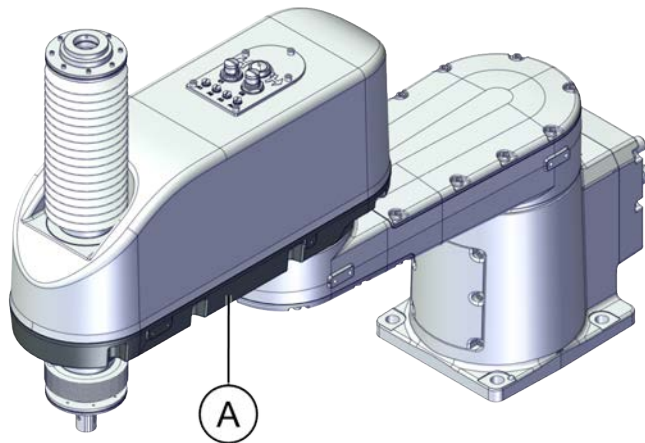


xx2100002314

Continues on next page

### Spare part list and illustration - Clean Room

	Spare part number	Description	Clean Room						Spare part level
			IRB 920T-6/0.45_0.18	IRB 920T-6/0.55_0.18	IRB 920T-6/0.65_0.18	IRB 920T-6/0.45_0.3	IRB 920T-6/0.55_0.3	IRB 920T-6/0.65_0.3	
A	3HAC081478-001	Outer arm	X	X	X	X	X	X	L2



xx2100002314

# 1 Spare parts and exploded views

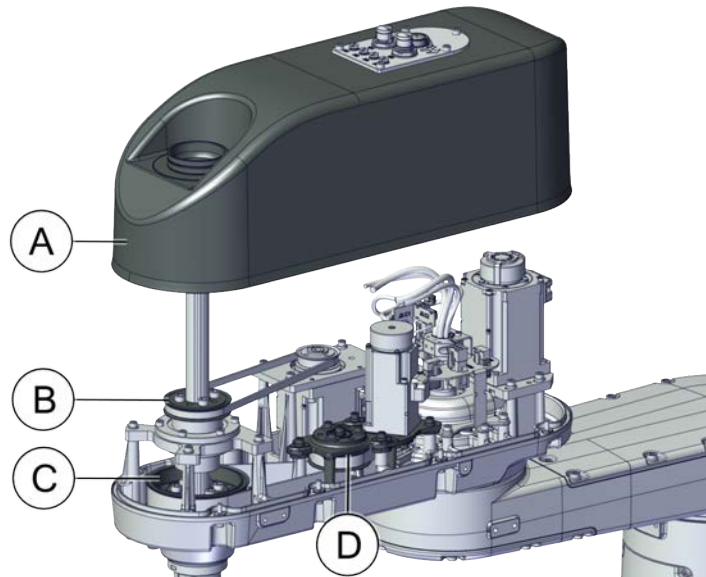
## 1.4.2 Outer arm parts

### 1.4.2 Outer arm parts

#### Spare part list and illustration - IP30

	Spare part number	Description	Standard, IP30 <sup>i</sup>										Spare part level
			IRB 920T-6/0.45_0.18	IRB 920T-6/0.55_0.18	IRB 920T-6/0.65_0.18	IRB 920T-6/0.45_0.3	IRB 920T-6/0.55_0.3	IRB 920T-6/0.65_0.3	IRB 920-6/0.55_0.18	IRB 920-6/0.65_0.18			
A	3HAC076611-001	Outer arm cover	X	X	X	X	X	X	X	X	X	X	L1
B	3HAC070480-001	Ax3 pulley Z2	X	X	X	X	X	X	X	X	X	X	L2
C	3HAC070481-001	Ax4-2 pulley Z2, 2020A	X	X	X	X	X	X	X	X	X	X	L2
D	3HAC076579-001	Transmission module	X	X	X	X	X	X	X	X	X	X	L2

<sup>i</sup> The protection class of the ballscrew area is IP20. For more information, please contact ABB.



xx2000001127

Continues on next page



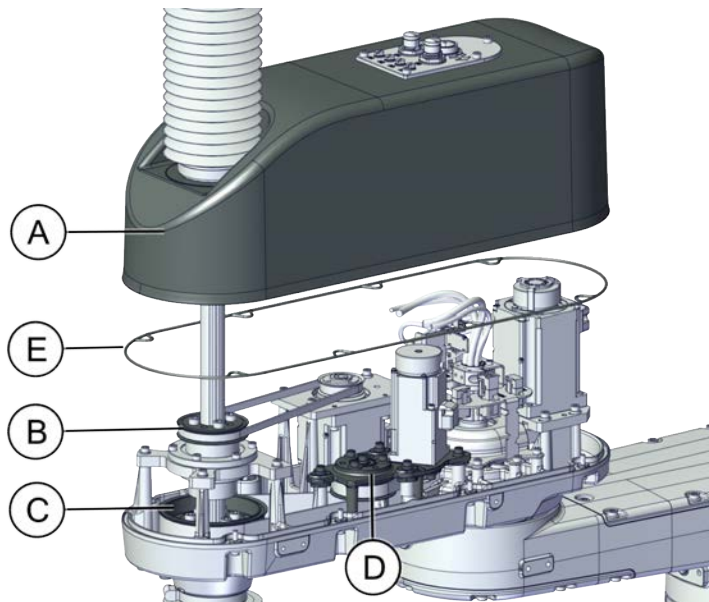
# 1 Spare parts and exploded views

## 1.4.2 Outer arm parts

*Continued*

### Spare part list and illustration - IP54

	Spare part number	Description	IP54								Spare part level
			IRB 920T-6/0.45 0.18	IRB 920T-6/0.55 0.18	IRB 920T-6/0.65 0.18	IRB 920T-6/0.45 0.3	IRB 920T-6/0.55 0.3	IRB 920T-6/0.65 0.3	IRB 920-6/0.55 0.18	IRB 920-6/0.65 0.18	
A	3HAC076611-001	Outer arm cover	X	X	X	X	X	X	X	X	L1
B	3HAC070480-001	Ax3 pulley Z2	X	X	X	X	X	X	X	X	L2
C	3HAC070481-001	Ax4-2 pulley Z2, 2020A	X	X	X	X	X	X	X	X	L2
D	3HAC076579-001	Transmission module	X	X	X	X	X	X	X	X	L2
E	3HAC073493-001	Gasket	X	X	X	X	X	X	X	X	L2



xx2100002455

*Continues on next page*

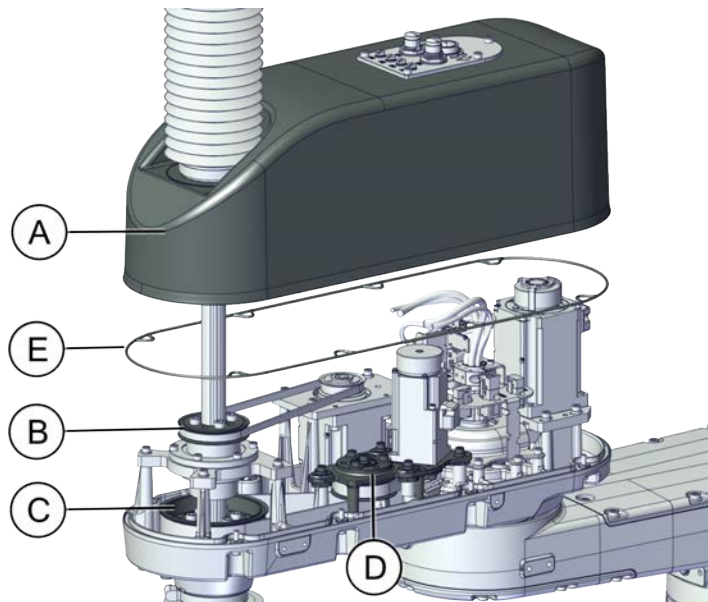
# 1 Spare parts and exploded views

## 1.4.2 Outer arm parts

Continued

### Spare part list and illustration - Clean Room

	Spare part number	Description	Clean Room						Spare part level
			IRB 920T-6/0.45_0.18	IRB 920T-6/0.55_0.18	IRB 920T-6/0.65_0.18	IRB 920T-6/0.45_0.3	IRB 920T-6/0.55_0.3	IRB 920T-6/0.65_0.3	
A	3HAC081494-001	Outer arm cover	X	X	X	X	X	X	L2
B	3HAC070480-001	Ax3 pulley Z2	X	X	X	X	X	X	L2
C	3HAC070481-001	Ax4-2 pulley Z2, 2020A	X	X	X	X	X	X	L2
D	3HAC076579-001	Transmission module	X	X	X	X	X	X	L2
E	3HAC073493-001	Gasket	X	X	X	X	X	X	L2



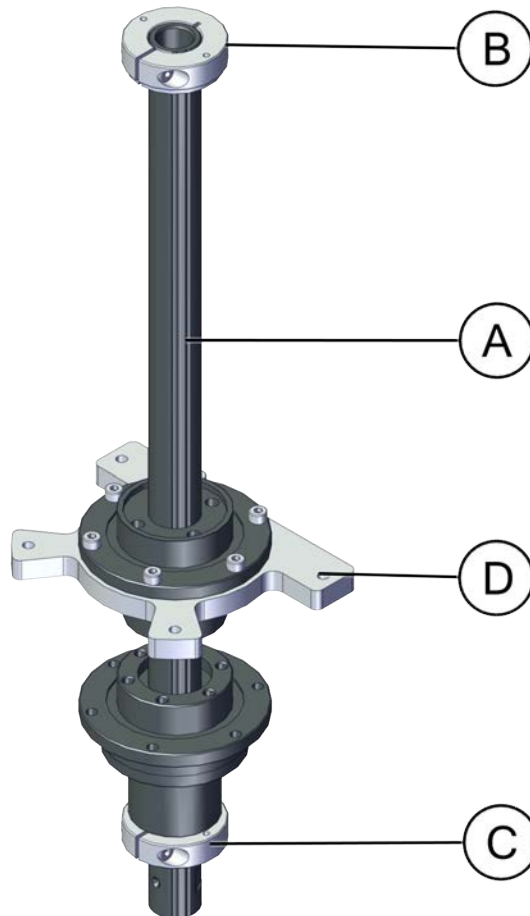
xx2100002455

1.4.3 Ball screw

Spare part list and illustration - IP30

	Spare part number	Description	Standard, IP30 <sup>i</sup>								Spare part level
			IRB 920T-6/0.45_0.18	IRB 920T-6/0.55_0.18	IRB 920T-6/0.65_0.18	IRB 920T-6/0.45_0.3	IRB 920T-6/0.55_0.3	IRB 920T-6/0.65_0.3	IRB 920-6/0.55_0.18	IRB 920-6/0.65_0.18	
A	3HAC070477-001	Ball screw, BNS2020A+395LC5	X	X	X						L2
	3HAC072983-001	Ball screw, BNS2020A+515LC5				X	X	X			L2
	3HAC077739-001	Ball screw, PBSA20-20-335-395							X	X	L2
B	3HAC073068-001	Mechanical-Stop top, D20	X	X	X	X	X	X	X	X	L2
C	3HAC073069-001	Mechanical-Stop bottom, D20	X	X	X	X	X	X	X	X	L2
D	3HAC070479-001	Ball Screw Flange	X	X	X	X	X	X	X	X	L2

<sup>i</sup> The protection class of the ballscrew area is IP20. For more information, please contact ABB.



xx2000001128

Continues on next page

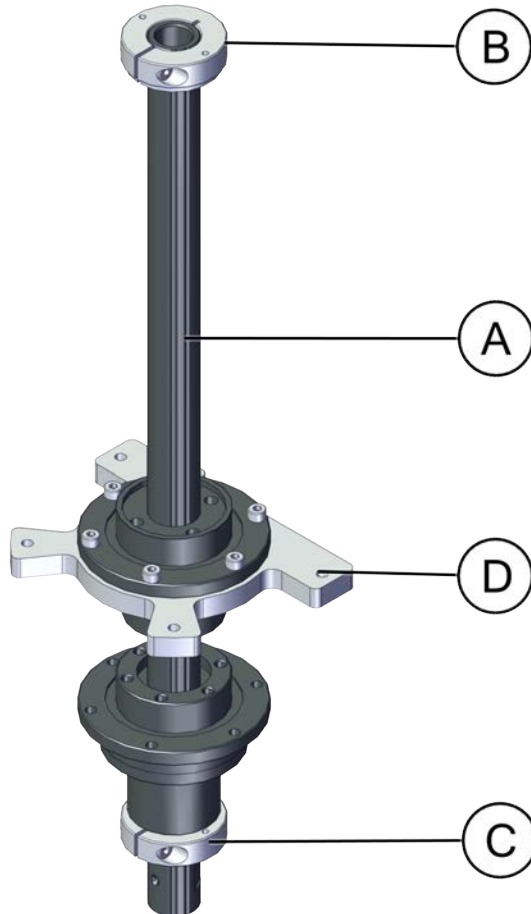
# 1 Spare parts and exploded views

## 1.4.3 Ball screw

Continued

### Spare part list and illustration - IP54

	Spare part number	Description	IP54									Spare part level
			IRB 920T-6/0.45 0.18	IRB 920T-6/0.55 0.18	IRB 920T-6/0.65 0.18	IRB 920T-6/0.45 0.3	IRB 920T-6/0.55 0.3	IRB 920T-6/0.65 0.3	IRB 920-6/0.55 0.18	IRB 920-6/0.65 0.18		
A	3HAC070477-001	Ball screw, BNS2020A+395LC5	X	X	X							L2
	3HAC072983-001	Ball screw, BNS2020A+515LC5				X	X	X				L2
	3HAC077739-001	Ball screw, PBSA20-20-335-395							X	X		L2
B	3HAC073068-001	Mechanical-Stop top, D20	X	X	X	X	X	X	X	X	X	L2
C	3HAC073069-001	Mechanical-Stop bottom, D20	X	X	X	X	X	X	X	X	X	L2
D	3HAC070479-001	Ball Screw Flange	X	X	X	X	X	X	X	X	X	L2

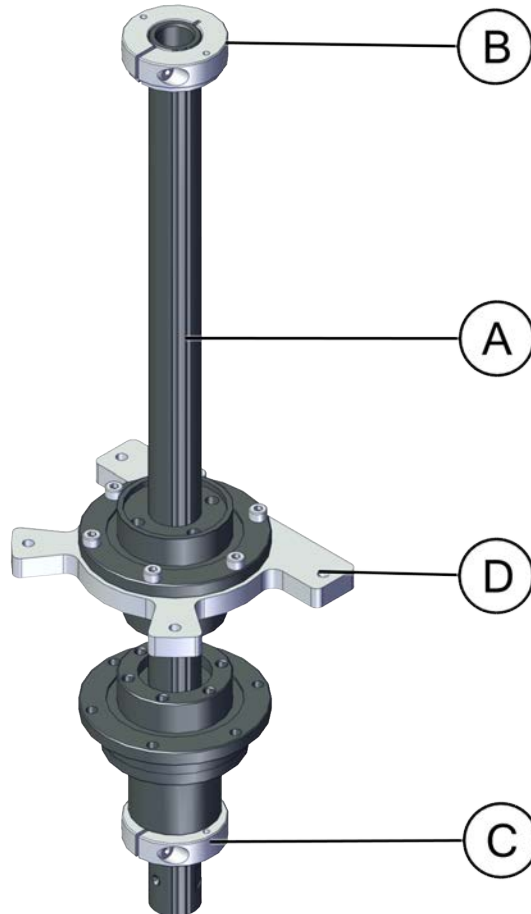


xx2000001128

Continues on next page

## Spare part list and illustration - Clean Room

	Spare part number	Description	Clean Room						Spare part level
			IRB 920T-6/0.45_0.18	IRB 920T-6/0.55_0.18	IRB 920T-6/0.65_0.18	IRB 920T-6/0.45_0.3	IRB 920T-6/0.55_0.3	IRB 920T-6/0.65_0.3	
A	3HAC070477-001	Ball screw, BNS2020A+395LC5	X	X	X				L2
	3HAC072983-001	Ball screw, BNS2020A+515LC5				X	X	X	L2
	3HAC077739-001	Ball screw, PBSA20-20-335-395							L2
B	3HAC073068-001	Mechanical-Stop top, D20	X	X	X	X	X	X	L2
C	3HAC073069-001	Mechanical-Stop bottom, D20	X	X	X	X	X	X	L2
D	3HAC070479-001	Ball Screw Flange	X	X	X	X	X	X	L2





xx2000001128

# 1 Spare parts and exploded views

## 1.4.4 Bellows

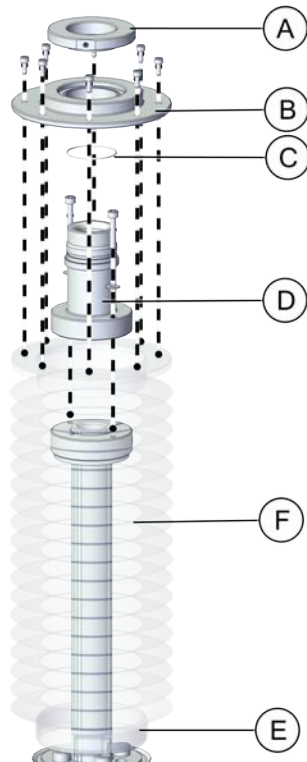
### 1.4.4 Bellows

#### Spare part list and illustration - IP54

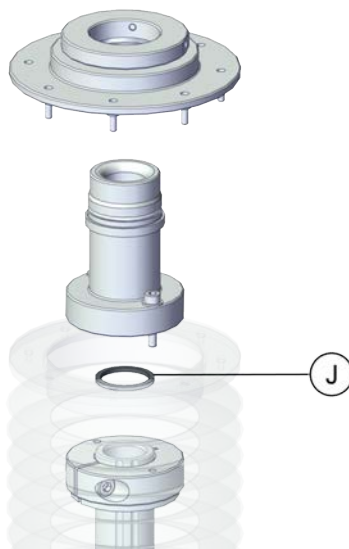
	Spare part number	Description	IP54										Spare part level
			IRB 920T-6/0.45 0.18	IRB 920T-6/0.55 0.18	IRB 920T-6/0.65 0.18	IRB 920T-6/0.45 0.3	IRB 920T-6/0.55 0.3	IRB 920T-6/0.65 0.3	IRB 920T-6/0.55 0.18	IRB 920T-6/0.65 0.18			
A	3HAC073487-001	Top Cover	X	X	X	X	X	X	X	X	X	X	L1
B	3HAC081473-001	Flange with bearing	X	X	X	X	X	X	X	X	X	X	L1
C	3HAC061327-023	O-ring	X	X	X	X	X	X	X	X	X	X	L2
D	3HAC073489-001	Extension shaft	X	X	X					X	X		L2
	3HAC073492-001	Extension shaft, Long stroke				X	X	X					L2
E	3HAC071547-001	Bellow Gasket	X	X	X	X	X	X	X	X	X	X	L2
F	3HAC073494-001	Bellow 140  <b>Note</b> Bellow is wear part.	X	X	X					X	X		L2
	3HAC073495-001	Below, Long stroke  <b>Note</b> Bellow is wear part.				X	X	X					L2
G	3HAC073490-001	Shaft	X	X	X	X	X	X	X	X	X	X	L1
H	3HAC073491-001	Lower Cover	X	X	X	X	X	X	X	X	X	X	L1
J	3HAC066658-001	Gasket Used with protection class IP54.	X	X	X	X	X	X	X	X	X	X	L2

Continues on next page

Upper bellow



xx2100002326



xx2100002328

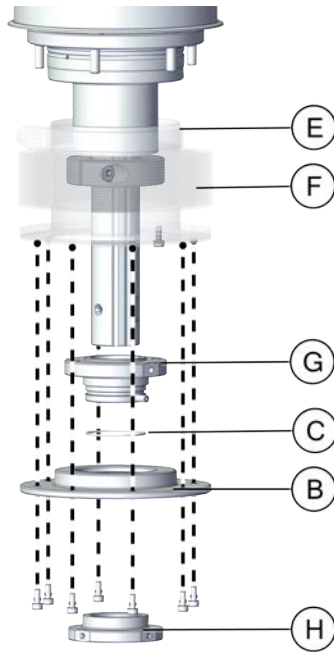
*Continues on next page*

# 1 Spare parts and exploded views

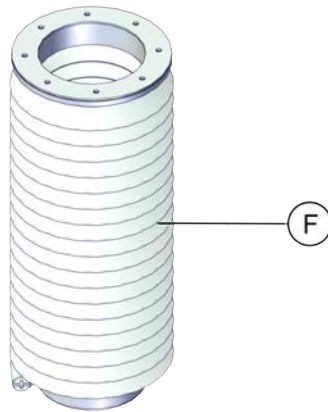
## 1.4.4 Bellows

Continued

Lower bellow



xx2100002327



xx2100002464

### Spare part list and illustration - Clean Room

	Spare part number	Description	Clean Room						Spare part level
			IRB 920T- 6/0.45_0.18	IRB 920T- 6/0.55_0.18	IRB 920T- 6/0.65_0.18	IRB 920T- 6/0.45_0.3	IRB 920T- 6/0.55_0.3	IRB 920T- 6/0.65_0.3	
A	3HAC073487-001	Top Cover	X	X	X	X	X	X	L1
B	3HAC081473-001	Flange with bearing	X	X	X	X	X	X	L1



Continues on next page



# 1 Spare parts and exploded views

## 1.4.4 Bellows

Continued

	Spare part number	Description	Clean Room						Spare part level
			IRB 920T- 6/0.45_0.18	IRB 920T- 6/0.55_0.18	IRB 920T- 6/0.65_0.18	IRB 920T- 6/0.45_0.3	IRB 920T- 6/0.55_0.3	IRB 920T- 6/0.65_0.3	
C	3HAC061327-023	O-ring	X	X	X	X	X	X	L2
D	3HAC073489-001	Extension shaft	X	X	X				L2
	3HAC073492-001	Extension shaft, Long stroke				X	X	X	L2
E	3HAC071547-001	Bellow Gasket	X	X	X	X	X	X	L2
F	3HAC073494-001	Bellow 140  <b>Note</b> Bellow is wear part.	X	X	X				L2
	3HAC073495-001	Below, Long stroke  <b>Note</b> Bellow is wear part.				X	X	X	L2
G	3HAC073490-001	Shaft	X	X	X	X	X	X	L1
H	3HAC073491-001	Lower Cover	X	X	X	X	X	X	L1
J	3HAC066658-001	Gasket Used with protection class IP54.	X	X	X	X	X	X	L2

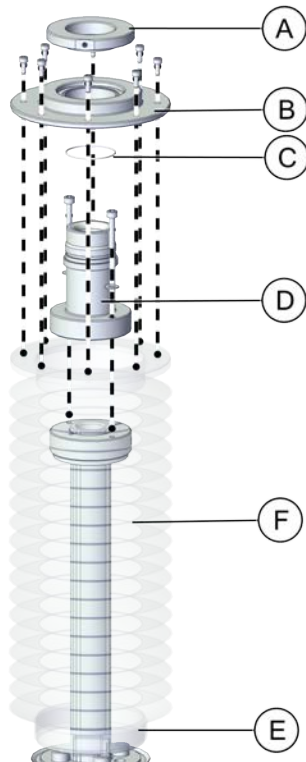
Continues on next page

# 1 Spare parts and exploded views

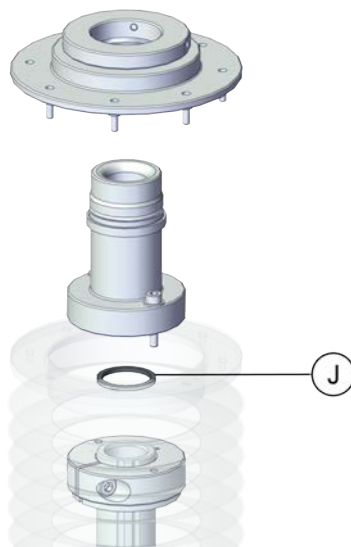
## 1.4.4 Bellows

Continued

### Upper bellow



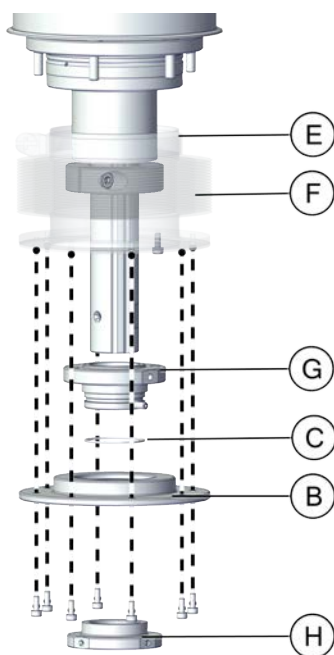
xx2100002326



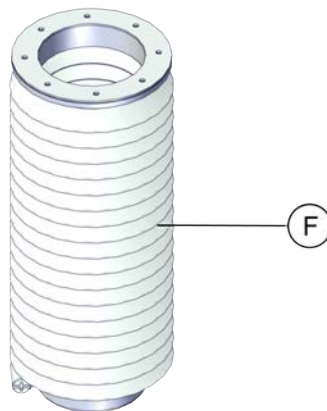
xx2100002328

Continues on next page

Lower bellow



xx2100002327



xx2100002464

# 1 Spare parts and exploded views

## 1.5.1 Axis-1 motor sub-assembly

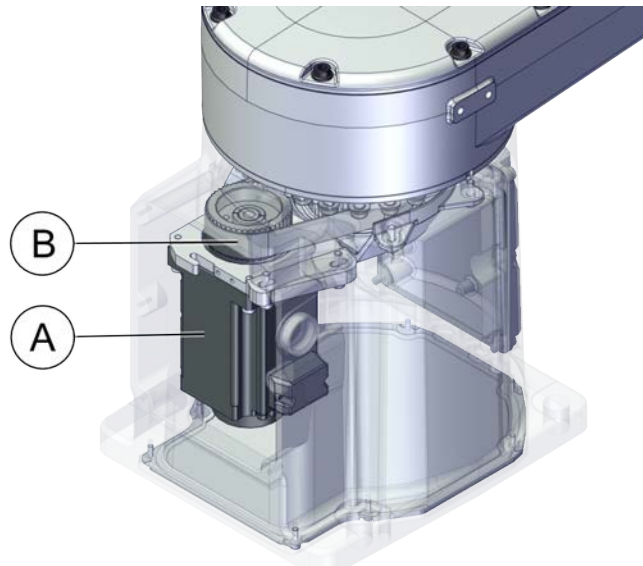
## 1.5 Spare parts - motors

### 1.5.1 Axis-1 motor sub-assembly

#### Spare part list and illustration - IP30

	Spare part number	Description	Standard, IP30 <sup>i</sup>										Spare part level
			IRB 920T-6/0.45 0.18	IRB 920T-6/0.55 0.18	IRB 920T-6/0.65 0.18	IRB 920T-6/0.45 0.3	IRB 920T-6/0.55 0.3	IRB 920T-6/0.65 0.3	IRB 920-6/0.55 0.18	IRB 920-6/0.65 0.18			
A	3HAC076569-001	Motor with pulley A1	X	X	X	X	X	X	X	X	X	L2	
B	3HAC070449-001	Timing belt A1	X	X	X	X	X	X	X	X	X	L2	

<sup>i</sup> The protection class of the ballscrew area is IP20. For more information, please contact ABB.



xx2000001130

*Continues on next page*

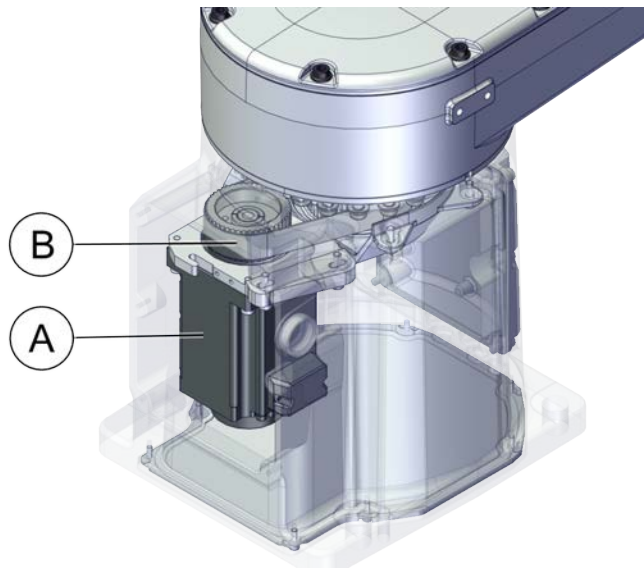
# 1 Spare parts and exploded views

## 1.5.1 Axis-1 motor sub-assembly

*Continued*

### Spare part list and illustration - IP54

	Spare part number	Description	IP54										Spare part level
			IRB 920T-6/0.45 0.18	IRB 920T-6/0.55 0.18	IRB 920T-6/0.65 0.18	IRB 920T-6/0.45 0.3	IRB 920T-6/0.55 0.3	IRB 920T-6/0.65 0.3	IRB 920-6/0.55 0.18	IRB 920-6/0.65 0.18			
A	3HAC076569-001	Motor with pulley A1	X	X	X	X	X	X	X	X	X	L2	
B	3HAC070449-001	Timing belt A1	X	X	X	X	X	X	X	X	X	L2	



xx2000001130

*Continues on next page*

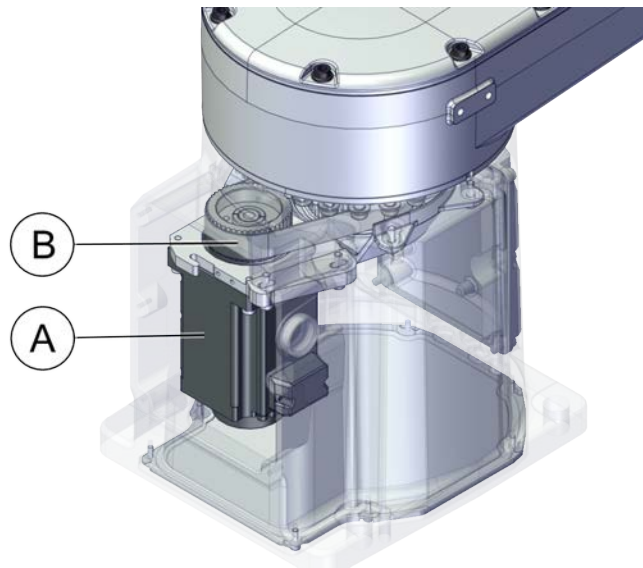
# 1 Spare parts and exploded views

## 1.5.1 Axis-1 motor sub-assembly

Continued

### Spare part list and illustration - Clean Room

	Spare part number	Description	Clean Room						Spare part level
			IRB 920T-6/0.45_0.18	IRB 920T-6/0.55_0.18	IRB 920T-6/0.65_0.18	IRB 920T-6/0.45_0.3	IRB 920T-6/0.55_0.3	IRB 920T-6/0.65_0.3	
A	3HAC076569-001	Motor with pulley A1	X	X	X	X	X	X	L2
B	3HAC070449-001	Timing belt A1	X	X	X	X	X	X	L2



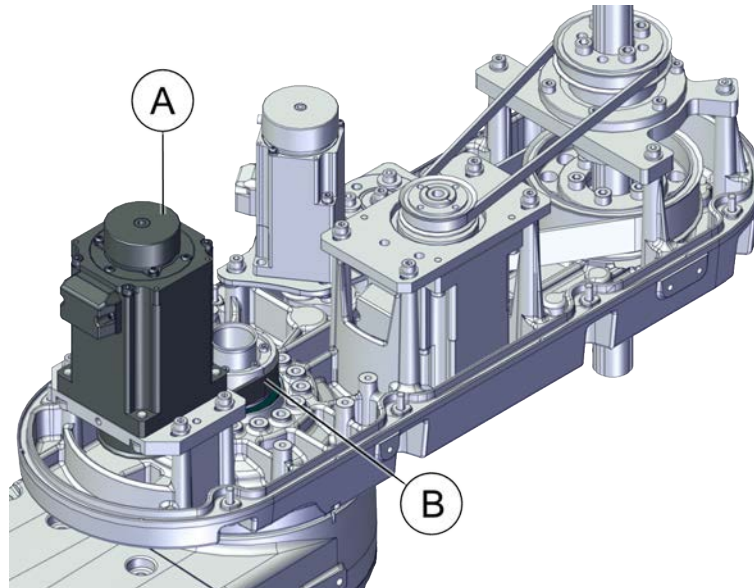
xx2000001130

### 1.5.2 Axis-2 motor sub-assembly

#### Spare part list and illustration - IP30

	Spare part number	Description	Standard, IP30 <sup>i</sup>										Spare part level
			IRB 920T-6/0.45_0.18	IRB 920T-6/0.55_0.18	IRB 920T-6/0.65_0.18	IRB 920T-6/0.45_0.3	IRB 920T-6/0.55_0.3	IRB 920T-6/0.65_0.3	IRB 920-6/0.55_0.18	IRB 920-6/0.65_0.18			
A	3HAC076576-001	Motor with pulley A2	X	X	X	X	X	X					L2
	3HAC084967-001	Motor with pulley A2							X	X			L2
B	3HAC061861-001	Timing belt A2	X	X	X	X	X	X	X	X	X		L2

<sup>i</sup> The protection class of the ballscrew area is IP20. For more information, please contact ABB.



xx2000001131

*Continues on next page*

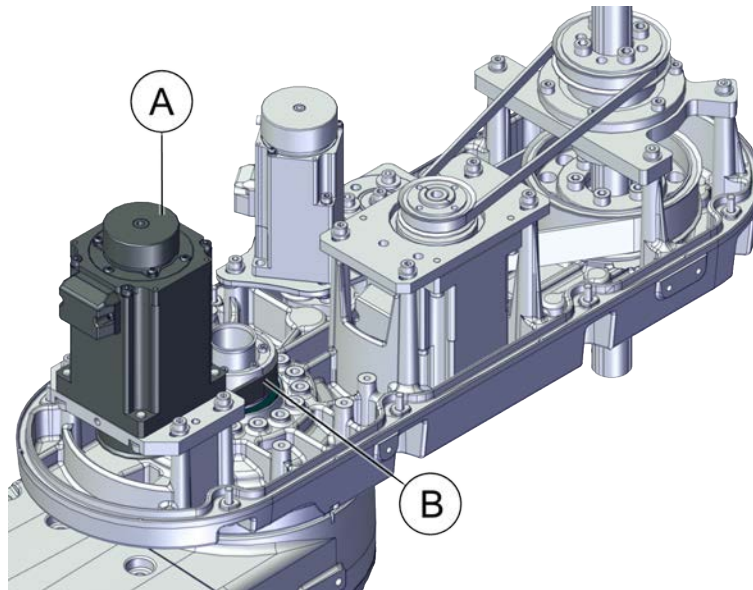
# 1 Spare parts and exploded views

## 1.5.2 Axis-2 motor sub-assembly

Continued

### Spare part list and illustration - IP54

	Spare part number	Description	IP54								Spare part level
			IRB 920T-6/0.45 0.18	IRB 920T-6/0.55 0.18	IRB 920T-6/0.65 0.18	IRB 920T-6/0.45 0.3	IRB 920T-6/0.55 0.3	IRB 920T-6/0.65 0.3	IRB 920-6/0.55 0.18	IRB 920-6/0.65 0.18	
A	3HAC076576-001	Motor with pulley A2	X	X	X	X	X	X			L2
	3HAC084967-001	Motor with pulley A2							X	X	L2
B	3HAC061861-001	Timing belt A2	X	X	X	X	X	X	X	X	L2



xx2000001131

Continues on next page



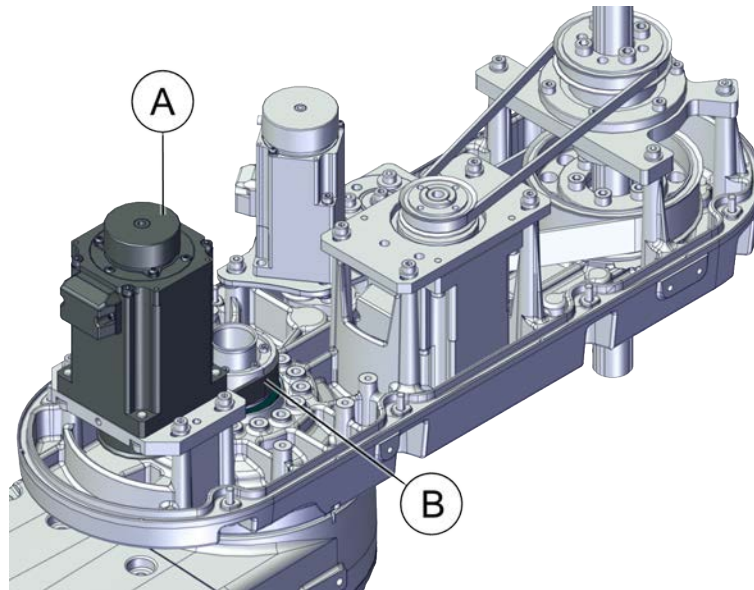
# 1 Spare parts and exploded views

## 1.5.2 Axis-2 motor sub-assembly

Continued

### Spare part list and illustration - Clean Room

	Spare part number	Description	Clean Room						Spare part level
			IRB 920T-6/0.45_0.18	IRB 920T-6/0.55_0.18	IRB 920T-6/0.65_0.18	IRB 920T-6/0.45_0.3	IRB 920T-6/0.55_0.3	IRB 920T-6/0.65_0.3	
A	3HAC076576-001	Motor with pulley A2	X	X	X	X	X	X	L2
	3HAC084967-001	Motor with pulley A2							L2
B	3HAC061861-001	Timing belt A2	X	X	X	X	X	X	L2



xx2000001131

# 1 Spare parts and exploded views

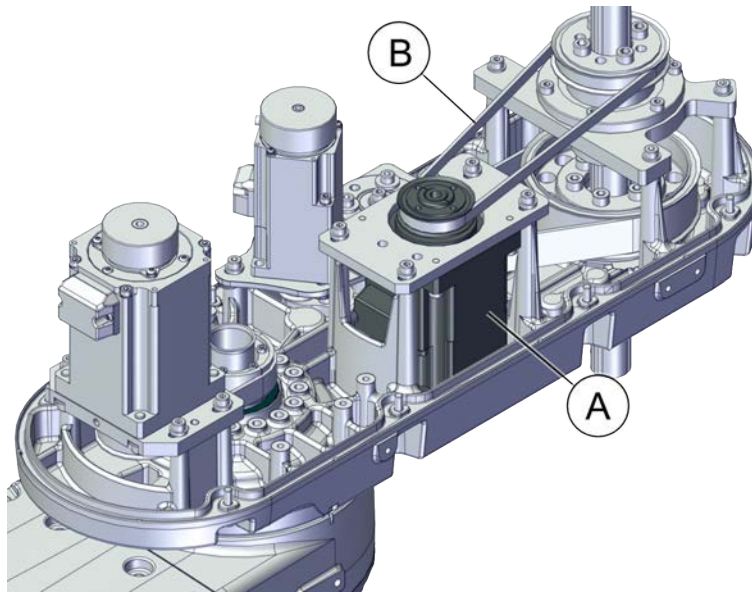
## 1.5.3 Axis-3 motor sub-assembly

### 1.5.3 Axis-3 motor sub-assembly

#### Spare part list and illustration - IP30

	Spare part number	Description	Standard, IP30 <sup>i</sup>										Spare part level
			IRB 920T-6/0.45_0.18	IRB 920T-6/0.55_0.18	IRB 920T-6/0.65_0.18	IRB 920T-6/0.45_0.3	IRB 920T-6/0.55_0.3	IRB 920T-6/0.65_0.3	IRB 920-6/0.55_0.18	IRB 920-6/0.65_0.18			
A	3HAC076577-001	Motor with pulley A3	X	X	X	X	X	X	X	X	X	X	L2
B	3HAC070464-001	Timing belt A3	X	X	X	X	X	X	X	X	X	X	L2

<sup>i</sup> The protection class of the ballscrew area is IP20. For more information, please contact ABB.



xx2000001132

*Continues on next page*

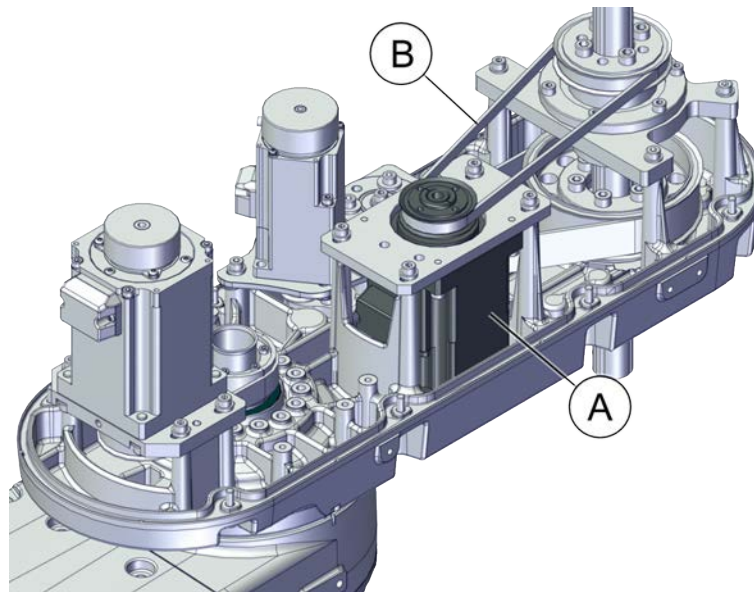
# 1 Spare parts and exploded views

## 1.5.3 Axis-3 motor sub-assembly

*Continued*

### Spare part list and illustration - IP54

	Spare part number	Description	IP54										Spare part level
			IRB 920T-6/0.45 0.18	IRB 920T-6/0.55 0.18	IRB 920T-6/0.65 0.18	IRB 920T-6/0.45 0.3	IRB 920T-6/0.55 0.3	IRB 920T-6/0.65 0.3	IRB 920-6/0.55 0.18	IRB 920-6/0.65 0.18			
A	3HAC076577-001	Motor with pulley A3	X	X	X	X	X	X	X	X	X	L2	
B	3HAC070464-001	Timing belt A3	X	X	X	X	X	X	X	X	X	L2	



xx2000001132

*Continues on next page*

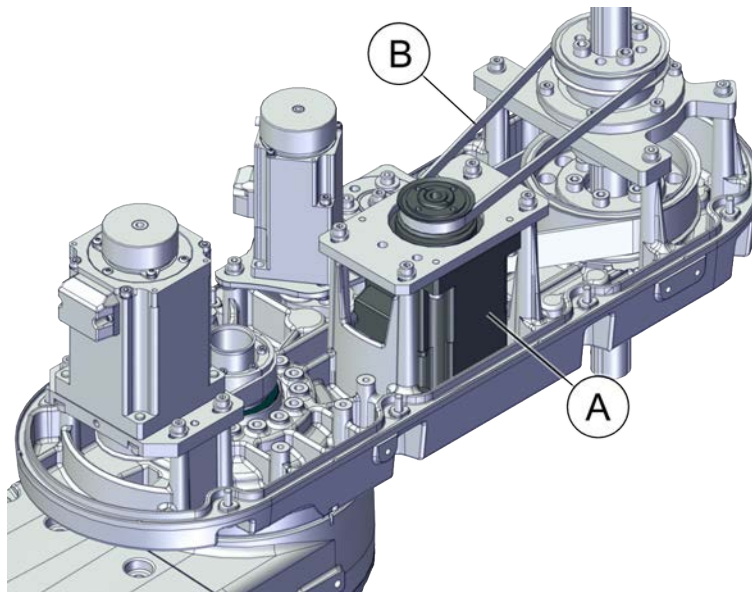
# 1 Spare parts and exploded views

## 1.5.3 Axis-3 motor sub-assembly

Continued

### Spare part list and illustration - Clean Room

	Spare part number	Description	Clean Room						Spare part level
			IRB 920T-6/0.45_0.18	IRB 920T-6/0.55_0.18	IRB 920T-6/0.65_0.18	IRB 920T-6/0.45_0.3	IRB 920T-6/0.55_0.3	IRB 920T-6/0.65_0.3	
A	3HAC076577-001	Motor with pulley A3	X	X	X	X	X	X	L2
B	3HAC070464-001	Timing belt A3	X	X	X	X	X	X	L2



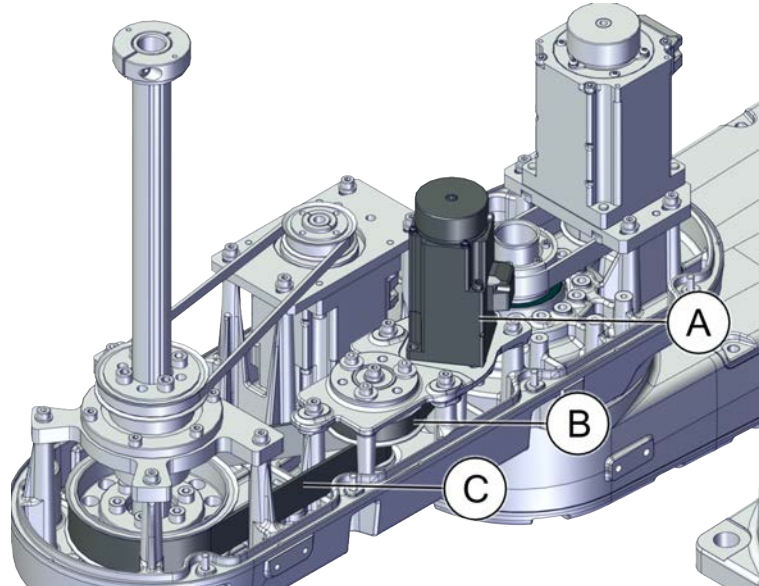
xx2000001132

### 1.5.4 Axis-4 motor sub-assembly

#### Spare part list and illustration - IP30

	Spare part number	Description	Standard, IP30 <sup>i</sup>										Spare part level
			IRB 920T-6/0.45_0.18	IRB 920T-6/0.55_0.18	IRB 920T-6/0.65_0.18	IRB 920T-6/0.45_0.3	IRB 920T-6/0.55_0.3	IRB 920T-6/0.65_0.3	IRB 920-6/0.55_0.18	IRB 920-6/0.65_0.18			
A	3HAC076578-001	Motor with pulley A4	X	X	X	X	X	X	X	X	X	X	L2
B	3HAC070470-001	Timing belt, A4-1	X	X	X	X	X	X	X	X	X	X	L2
C	3HAC070471-001	Timing belt, A4-2	X	X	X	X	X	X	X	X	X	X	L2

<sup>i</sup> The protection class of the ballscrew area is IP20. For more information, please contact ABB.



xx2000001133

*Continues on next page*

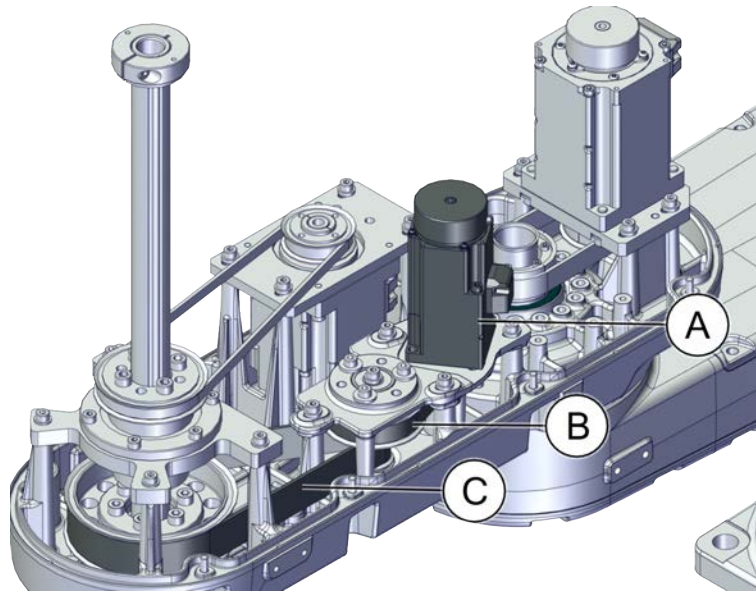
# 1 Spare parts and exploded views

## 1.5.4 Axis-4 motor sub-assembly

Continued

### Spare part list and illustration - IP54

	Spare part number	Description	IP54										Spare part level
			IRB 920T-6/0.45 0.18	IRB 920T-6/0.55 0.18	IRB 920T-6/0.65 0.18	IRB 920T-6/0.45 0.3	IRB 920T-6/0.55 0.3	IRB 920T-6/0.65 0.3	IRB 920-6/0.55 0.18	IRB 920-6/0.65 0.18			
A	3HAC076578-001	Motor with pulley A4	X	X	X	X	X	X	X	X	X	X	L2
B	3HAC070470-001	Timing belt, A4-1	X	X	X	X	X	X	X	X	X	X	L2
C	3HAC070471-001	Timing belt, A4-2	X	X	X	X	X	X	X	X	X	X	L2



xx2000001133

Continues on next page

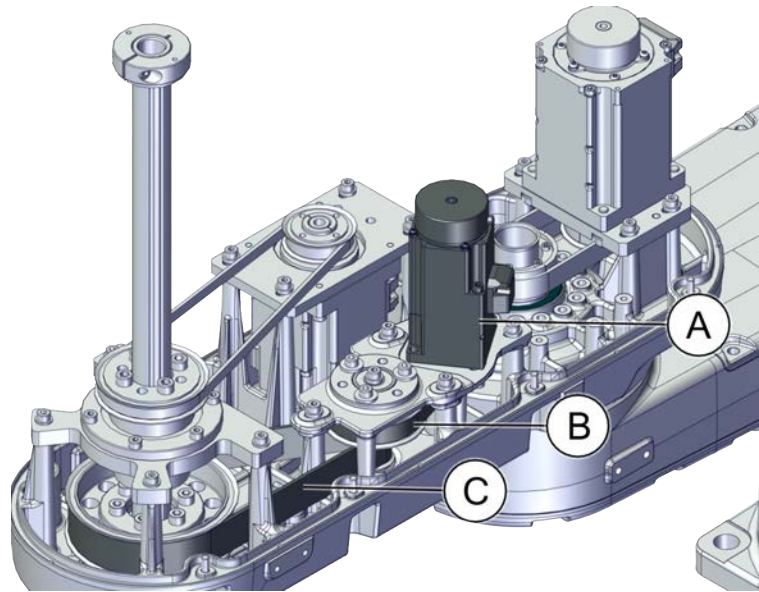
# 1 Spare parts and exploded views

## 1.5.4 Axis-4 motor sub-assembly

Continued

### Spare part list and illustration - Clean Room

	Spare part number	Description	Clean Room						Spare part level
			IRB 920T-6/0.45_0.18	IRB 920T-6/0.55_0.18	IRB 920T-6/0.65_0.18	IRB 920T-6/0.45_0.3	IRB 920T-6/0.55_0.3	IRB 920T-6/0.65_0.3	
A	3HAC076578-001	Motor with pulley A4	X	X	X	X	X	X	L2
B	3HAC070470-001	Timing belt, A4-1	X	X	X	X	X	X	L2
C	3HAC070471-001	Timing belt, A4-2	X	X	X	X	X	X	L2



xx2000001133

# 1 Spare parts and exploded views

## 1.6.1 Axis-1 gearbox

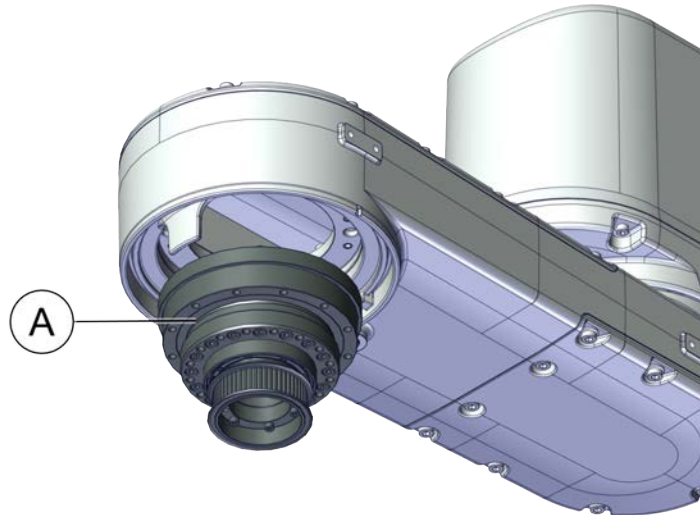
## 1.6 Spare parts - gearboxes

### 1.6.1 Axis-1 gearbox

#### Spare part list and illustration - IP30

	Spare part number	Description	Standard, IP30 <sup>i</sup>										Spare part level
			IRB 920T-6/0.45_0.18	IRB 920T-6/0.55_0.18	IRB 920T-6/0.65_0.18	IRB 920T-6/0.45_0.3	IRB 920T-6/0.55_0.3	IRB 920T-6/0.65_0.3	IRB 920-6/0.55_0.18	IRB 920-6/0.65_0.18			
A	3HAC076573-001	Axis-1 gear unit sub-assembly	X	X	X	X	X	X				L2	
	3HAC084965-001	Axis-1 gear unit sub-assembly							X	X		L2	

<sup>i</sup> The protection class of the ballscrew area is IP20. For more information, please contact ABB.



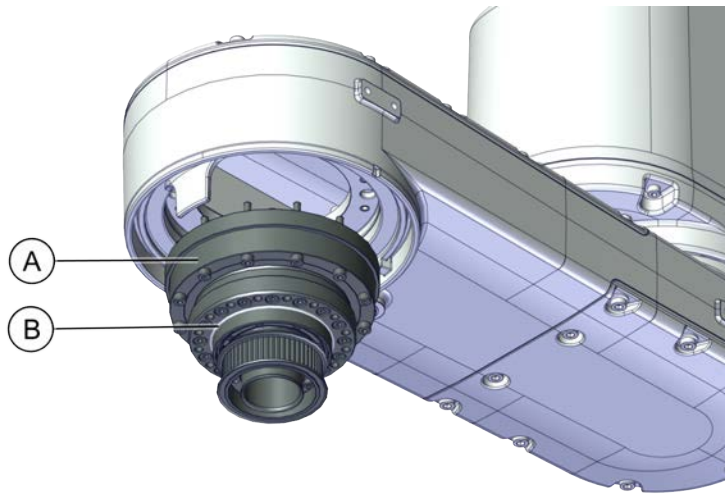
xx2000001134

*Continues on next page*



### Spare part list and illustration - IP54

	Spare part number	Description	IP54										Spare part level
			IRB 920T-6/0.45 0.18	IRB 920T-6/0.55 0.18	IRB 920T-6/0.65 0.18	IRB 920T-6/0.45 0.3	IRB 920T-6/0.55 0.3	IRB 920T-6/0.65 0.3	IRB 920-6/0.55 0.18	IRB 920-6/0.65 0.18			
A	3HAC076573-001	Axis-1 gear unit sub-assembly	X	X	X	X	X	X				L2	
	3HAC084965-001	Axis-1 gear unit sub-assembly							X	X		L2	
B	3HAB3772-115	O-ring	X	X	X	X	X	X	X	X		L2	



xx2100002329

*Continues on next page*

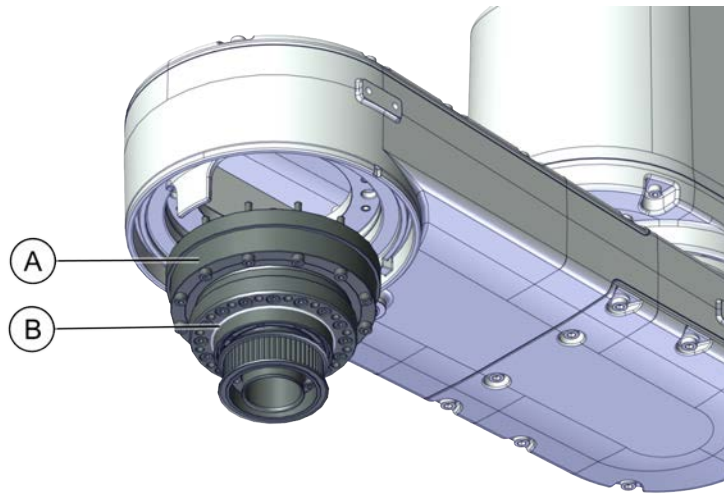
# 1 Spare parts and exploded views

## 1.6.1 Axis-1 gearbox

Continued

### Spare part list and illustration - Clean Room

	Spare part number	Description	Clean Room						Spare part level
			IRB 920T-6/0.45 0.18	IRB 920T-6/0.55 0.18	IRB 920T-6/0.65 0.18	IRB 920T-6/0.45 0.3	IRB 920T-6/0.55 0.3	IRB 920T-6/0.65 0.3	
A	3HAC076573-001	Axis-1 gear unit sub-assembly	X	X	X	X	X	X	L2
	3HAC084965-001	Axis-1 gear unit sub-assembly							L2
B	3HAB3772-115	O-ring	X	X	X	X	X	X	L2



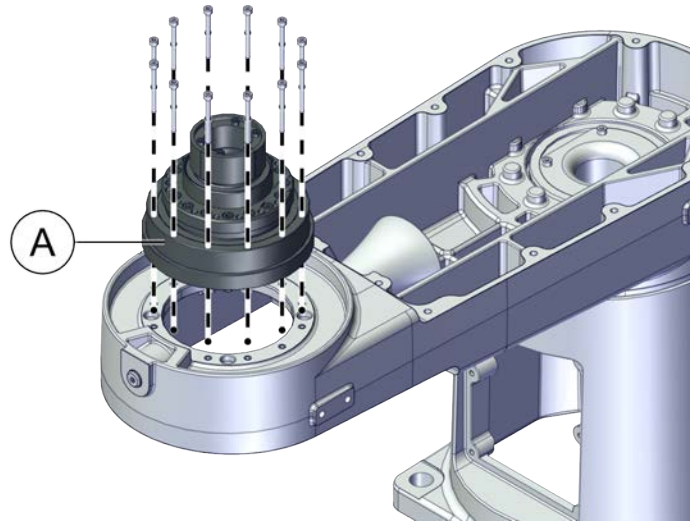
xx2100002329

1.6.2 Axis-2 gearbox

Spare part list and illustration - IP30

	Spare part number	Description	Standard, IP30 <sup>i</sup>										Spare part level
			IRB 920T-6/0.45 0.18	IRB 920T-6/0.55 0.18	IRB 920T-6/0.65 0.18	IRB 920T-6/0.45 0.3	IRB 920T-6/0.55 0.3	IRB 920T-6/0.65 0.3	IRB 920-6/0.55 0.18	IRB 920-6/0.65 0.18			
A	3HAC076574-001	Axis-2 gear unit sub-assembly	X	X	X	X	X	X					L2
	3HAC084966-001	Axis-2 gear unit sub-assembly							X	X			L2

<sup>i</sup> The protection class of the ballscrew area is IP20. For more information, please contact ABB.



xx2000001135

*Continues on next page*

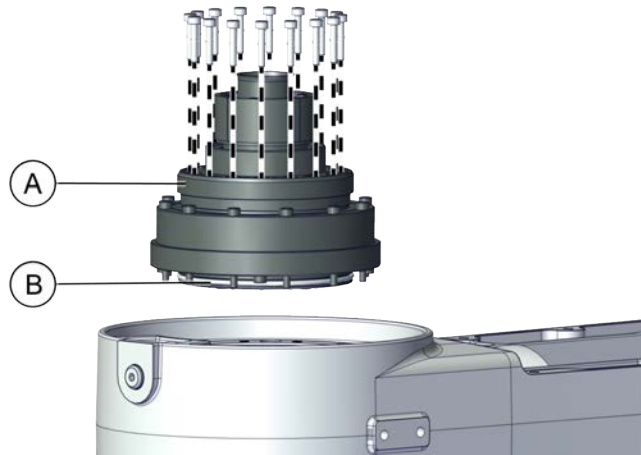
# 1 Spare parts and exploded views

## 1.6.2 Axis-2 gearbox

Continued

### Spare part list and illustration - IP54

	Spare part number	Description	IP54										Spare part level
			IRB 920T-6/0.45 0.18	IRB 920T-6/0.55 0.18	IRB 920T-6/0.65 0.18	IRB 920T-6/0.45 0.3	IRB 920T-6/0.55 0.3	IRB 920T-6/0.65 0.3	IRB 920-6/0.55 0.18	IRB 920-6/0.65 0.18			
A	3HAC076574-001	Axis-2 gear unit sub-assembly	X	X	X	X	X	X				L2	
	3HAC084966-001	Axis-2 gear unit sub-assembly							X	X		L2	
B	3HAC061327-017	O-ring	X	X	X	X	X	X	X	X		L2	

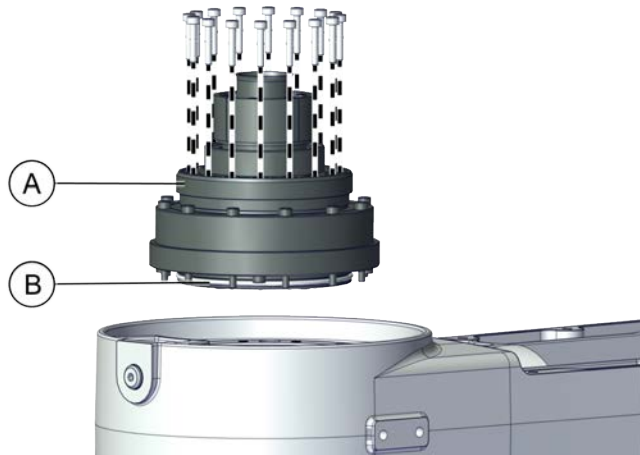


xx2100002330

Continues on next page

### Spare part list and illustration - Clean Room

	Spare part number	Description	Clean Room						Spare part level
			IRB 920T-6/0.45 0.18	IRB 920T-6/0.55 0.18	IRB 920T-6/0.65 0.18	IRB 920T-6/0.45 0.3	IRB 920T-6/0.55 0.3	IRB 920T-6/0.65 0.3	
A	3HAC076574-001	Axis-2 gear unit sub-assembly	X	X	X	X	X	X	L2
	3HAC084966-001	Axis-2 gear unit sub-assembly							L2
B	3HAC061327-017	O-ring	X	X	X	X	X	X	L2



xx2100002330

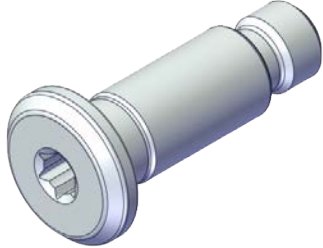
# 1 Spare parts and exploded views

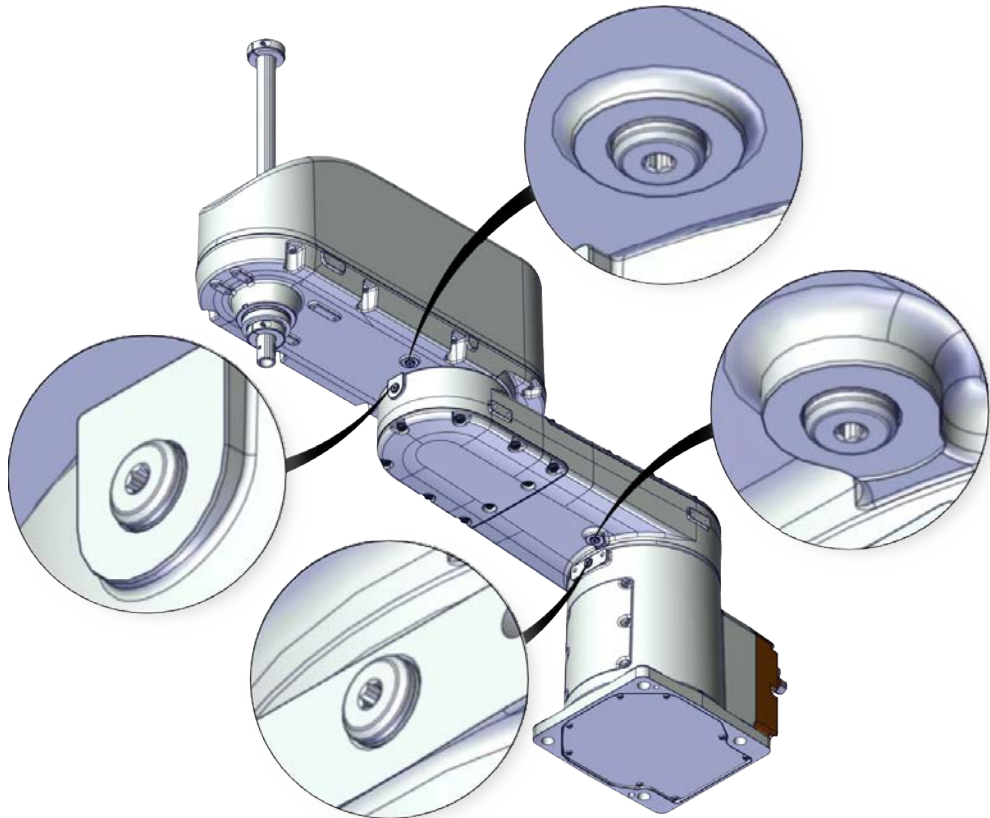
## 1.7.1 Axis Calibration items - Protective plug

## 1.7 Spare parts - Accessories

### 1.7.1 Axis Calibration items - Protective plug

#### Spare part list and illustration - IP30 and IP54

Spare part number	Description	Illustration	Spare part level
3HAC054431-005	Protective plug for bushing	 xx190000089	L1




xx2000001142

*Continues on next page*

# 1 Spare parts and exploded views

## 1.7.1 Axis Calibration items - Protective plug *Continued*

### Spare part list and illustration - Clean Room

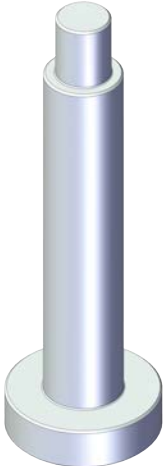
Spare part number	Description	Illustration	Spare part level
3HAC059557-001	Plug, hexagon head, 6 mm, Clean Room	 xx2100002331	L1

# 1 Spare parts and exploded views

## 1.7.2 Special tools

### 1.7.2 Special tools

#### Spare part list

Spare part number	Description	Illustration
3HAC077249-001	IRB 920 special tool	 xx2000001141



## 1.8 Consumables and wear parts

### 1.8.1 Lubrication

#### Spare part list

This table specifies required lubricants for installation and service. Detailed information about usage of lubricants is found in *Product manual - IRB 920*.

Description	Spare part number
Grease FM 222	3HAC029132-001
Grease Gastrol Spheerol EPL 1	3HAC077740-001

# 1 Spare parts and exploded views

## 1.8.2 Wear parts

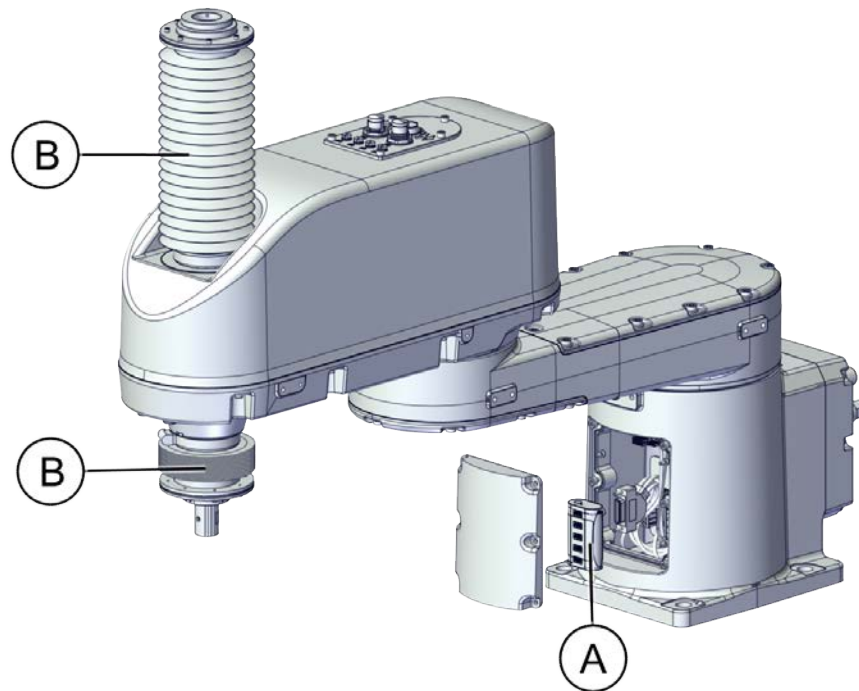
## 1.8.2 Wear parts

### Wear part list

Expected component life for following wear parts are specified in *Product manual - IRB 920*.

	Description	Article part number	IP30	IP54	Clean Room	Spare part level
A	Battery unit Battery includes protection circuits. Only replace with a specified spare part or an ABB-approved equivalent.	3HAC044075-001	X	X	X	L2
B	Bellow 140 Used with protection type Clean Room.	3HAC073494-001		X	X	L2

### Wear part illustration



xx2200000279





**ABB AB**

**Robotics & Discrete Automation**

S-721 68 VÄSTERÅS, Sweden

Telephone +46 10-732 50 00

**ABB AS**

**Robotics & Discrete Automation**

Nordlysvegen 7, N-4340 BRYNE, Norway

Box 265, N-4349 BRYNE, Norway

Telephone: +47 22 87 2000

**ABB Engineering (Shanghai) Ltd.**

Robotics & Discrete Automation

No. 4528 Kangxin Highway

PuDong New District

SHANGHAI 201319, China

Telephone: +86 21 6105 6666

**ABB Inc.**

**Robotics & Discrete Automation**

1250 Brown Road

Auburn Hills, MI 48326

USA

Telephone: +1 248 391 9000

**[abb.com/robotics](http://abb.com/robotics)**